

DIAPHRAGM SEAL PRESSURE GAUGE

PG-60P – STANDARD TYPE PGF-60P – LIQUID FILLED TYPE

Particularly used for diaphragm pressure gauges which specialized used in the outfit of electric circuit board, pump fluid filter as well as chemical industry, with its PP or Teflon all in one case covered around in order to its unbreakable function and excellent efficacy of anticorrosive.

Application

- Used for Chemical Industries Pressure Gauge
- High Viscosity Liquid System
- Water Treatment System
- Fluid Filter System

Technical Data

Dial Size: ø60mm

Pressure Range: PP Case: -76cmHg~0 to 0~20 kg/cm²
Teflon Case: 0~10 kg/cm²

Unit: kg/cm², Bar, Psi...; Single scale or Dual scale available

Case Material: PP Anti-Impact, all in one; Teflon is on request

Lens Material: Safety Glass

Diaphragm Membrane Material: PP Case: Viton;
Teflon Case: FFKM

Accuracy: ±2.0% Full Scale

Connection Size: ½" BSPT, BSP, NPT female;
and ¼" BSPT, NPT female thread available

Working Temperature: -20°C~+60°C

Install Twist: PP Case: max. 25 kg/cm² ; Teflon Case: 0.5~10 kg/cm²



PP Case

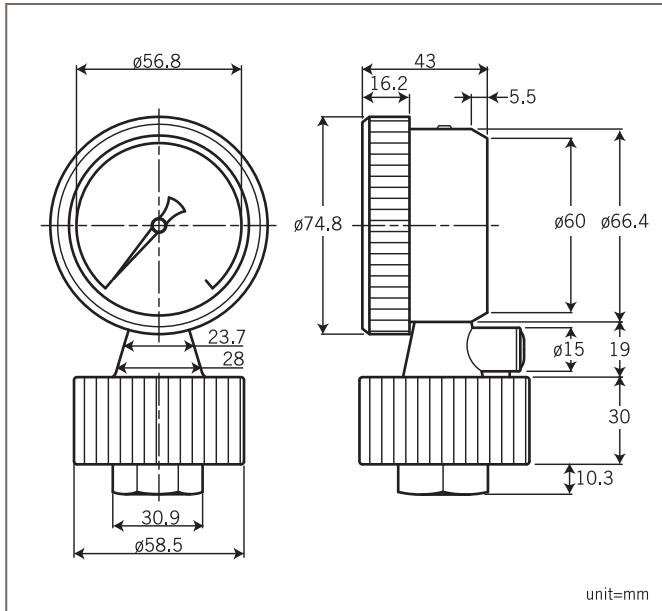


Teflon Case

Approvals:



Dimensions



Range Table

PRESSURE RANGES			VACUUM & COMPOUND RANGES		
Single Scale	Dual Scale		Single Scale	Dual Scale	
kg/cm ² or bar	kg/cm ² or bar	psi	kg/cm ²	inHg & psi	cmHg & mmHg
0/1	0/1	0/15	-1/0	-30/0	-76/0
0/4	0/4	0/60			
0/6	0/6	0/80			
0/7	0/7	0/100			
0/10	0/10	0/150			
0/20	0/20	0/300			

NOTE.
Others Pressure Range & Unit are on request.

Ordering Information

Code	Model												
PG-60P	Standard Type, without liquid filled												
PGF-60P	Liquid Filled Type												
	<table border="1"> <thead> <tr> <th>Code</th> <th colspan="2">Case / Diaphragm Membrane Material</th> </tr> </thead> <tbody> <tr> <td>P</td> <td>P.P / Viton</td> <td>T Teflon / FFKM</td> </tr> </tbody> </table>	Code	Case / Diaphragm Membrane Material		P	P.P / Viton	T Teflon / FFKM						
Code	Case / Diaphragm Membrane Material												
P	P.P / Viton	T Teflon / FFKM											
	<table border="1"> <thead> <tr> <th>Code</th> <th colspan="5">Connectoin Size</th> </tr> </thead> <tbody> <tr> <td>1</td> <td>½"BSPT(F)</td> <td>2 ½"BSP(F)</td> <td>3 ½"NPT(F)</td> <td>4 ¼"BSPT(F)</td> <td>5 ¼"NPT(F)</td> </tr> </tbody> </table>	Code	Connectoin Size					1	½"BSPT(F)	2 ½"BSP(F)	3 ½"NPT(F)	4 ¼"BSPT(F)	5 ¼"NPT(F)
Code	Connectoin Size												
1	½"BSPT(F)	2 ½"BSP(F)	3 ½"NPT(F)	4 ¼"BSPT(F)	5 ¼"NPT(F)								
	<table border="1"> <thead> <tr> <th>Code</th> <th>Pressure Range</th> </tr> </thead> <tbody> <tr> <td></td> <td>Please fill out the request pressure range directly.</td> </tr> </tbody> </table>	Code	Pressure Range		Please fill out the request pressure range directly.								
Code	Pressure Range												
	Please fill out the request pressure range directly.												
	Complete Ordering Code												