

# ORIFICE PLATE TYPE FLOWMETER

## OPF200

### Principle

An orifice plate creates differential pressure when fluids flow through the plate in a pipe. The differential pressure corresponds to flow rate a small orifice plate locate on between high and low side in by pass tube which created small flow and corresponds proportional to mainflow. showing flow rate on meter tube float.

### Technical Data

**Mounting in pipe:** Vertical or Horizontal available

**Fluid:** Liquid, Water

**Size:** 40A(1½"), 50A(2"), 65A(2½"), 80A(3")

**Flow Rate:** 110 L/Min ~ 330 (x10) L/Min

**Material:** Body- FCD

Orifice Plate- SS304

Meter Tube- Borosilicate Glass

Float- SS304

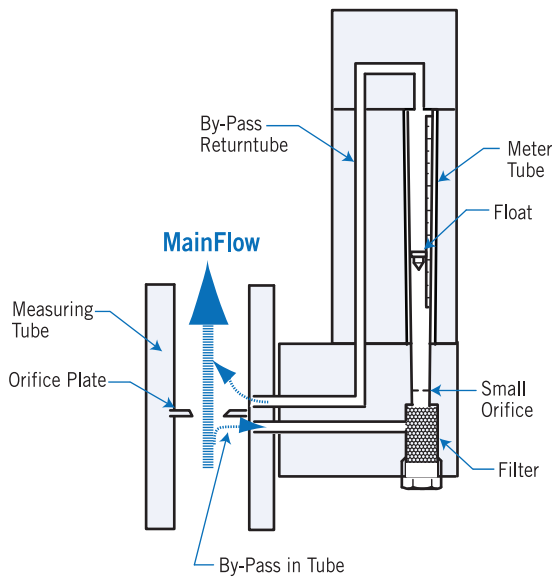
By-Pass Tube- SS304

Filiter- SS304

**Max. Pressure Limit:** 6 kg/cm<sup>2</sup> (0.6 MPa)

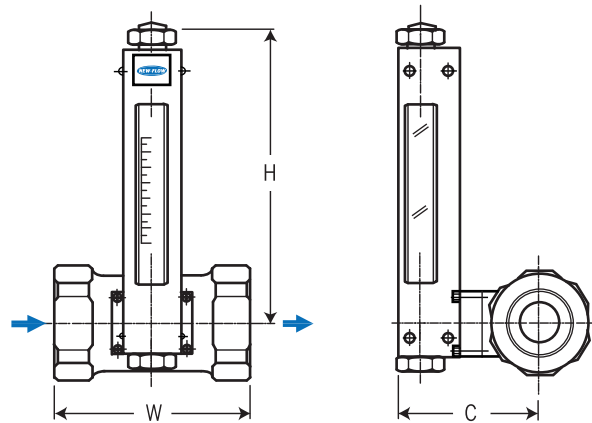
**Max. Temperature Limit:** 90°C

### Principle & Parts List

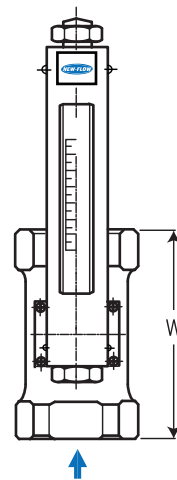


### Dimensions

#### (A) Flow Direction: Horizontal



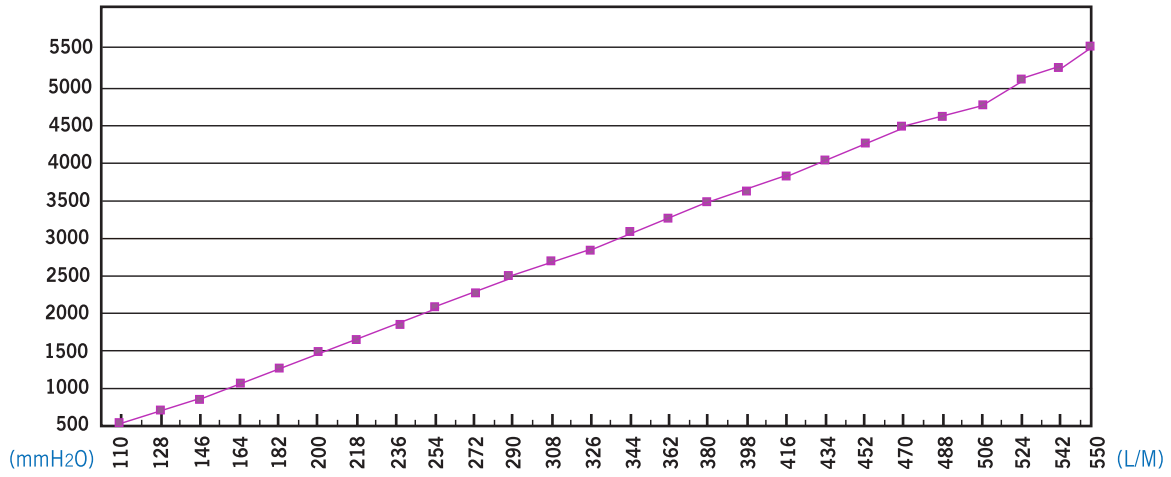
#### (B) Flow Direction: Vertical



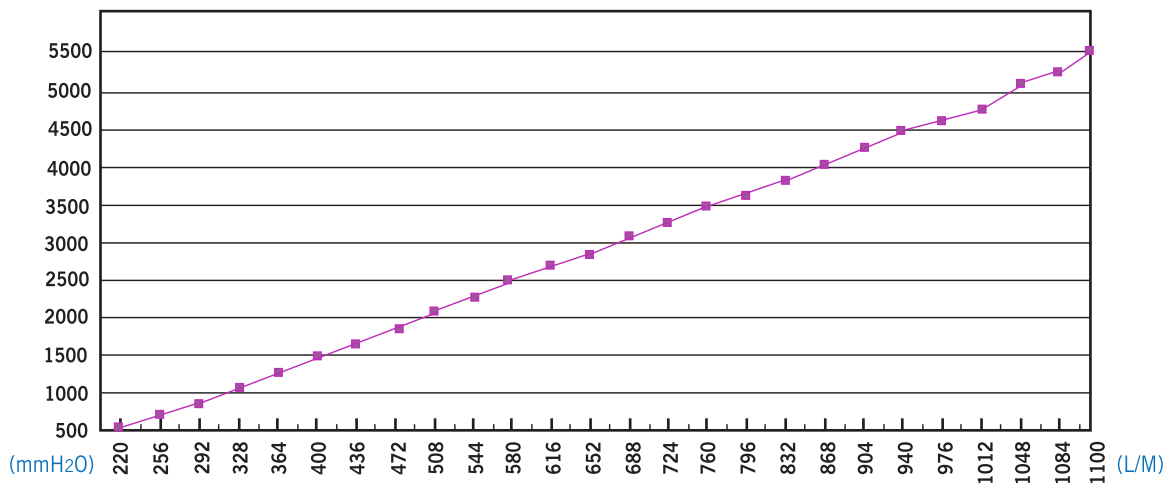
Range Size	DIMENSION		
	W	H	C
40A	120	190	62
50A	120	190	70
65A	120	190	78
80A	120	190	90

## Flow Rate Curve

**A. 40A (1½")**



**B. 50A (2")**



**C. 65A (2½")**

