

# FLOW SWITCH AND INDICATOR OF100 SERIES

## Technical Data

**Piston type for high viscosity**

**Fluid:** Water, oil, other liquid available; Gases

**Flow Range:** 40~30,000 l/h (at Water); 1~740 Nm<sup>3</sup>/h (at Air)

**Accuracy:** ±3% F.S, On request: ±2.5% F.S

**Size:** ¼" to 2½"

**Connection Type:** NPT, Flange type on request

**Working Limits:** Temperature: -40°C to +180°C

**Working Pressure:** 30 kg/cm<sup>2</sup>

Option-100 kg/cm<sup>2</sup> for 1" or less

Option-200 kg/cm<sup>2</sup> for 1½" or bigger

**Protection Class:** IP66, Explosion proof

**Housing Material:** NS, CS, MS type- Aluminum Alloy

ES type- SS316

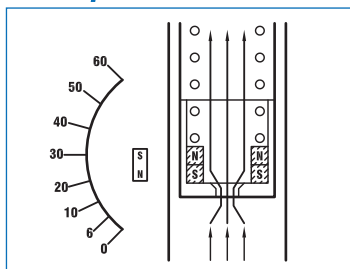
**Lens Material:** Safety glass

**Mounting:** Vertical, Horizontal available

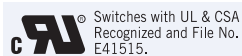
**Material:** Wetted parts SS316; Teflon lining float for Gases application

**Alarm Switch:** Micro switch, Inductive switch available

## Principle



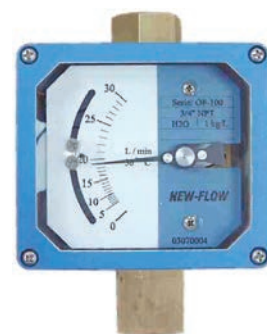
### Approvals:



TD0400TJ  
工電(2015)第00151號  
(ITRI)2017第07-00302號



NS Type (Indicating only)



CS Type (With inductive switch)



ES Type (Indicating only)



MS Type (With micro or reed switch)



GYB19.1793X

SIL2 Certified

### Patent No.

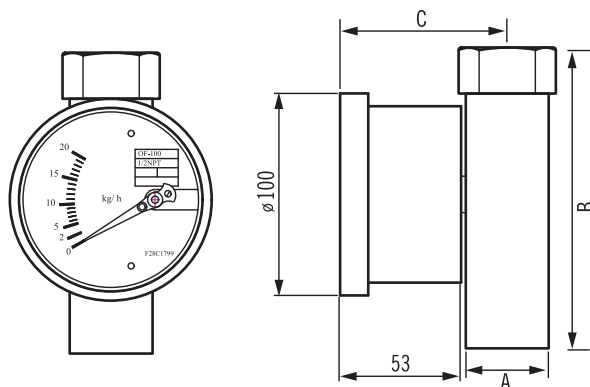
CE 2810  
(PED: 2014/68/EU)

Taiwan: M285697 / M338982 / M332836  
China: 1187801

## Dimensions

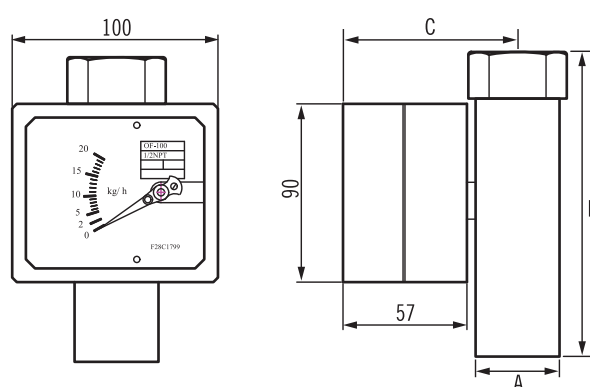
IP68

ES Type  
Housing Material: SS316



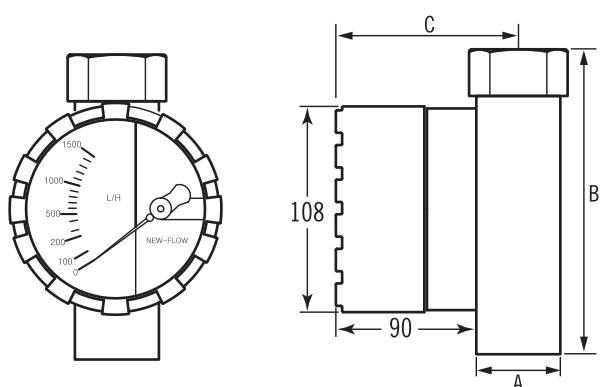
IP66

CS, NS Type  
Housing Material: Aluminum alloy



IP66

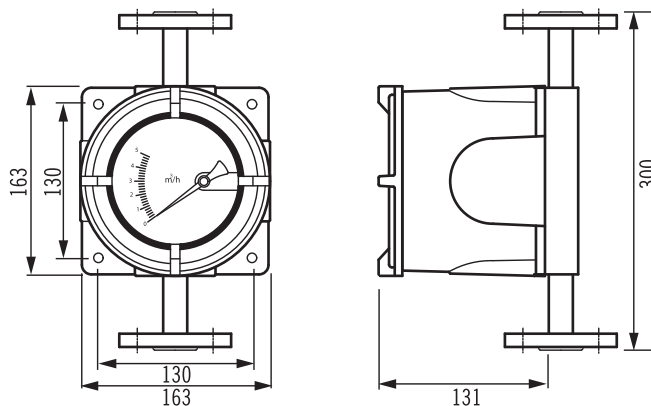
MS Type  
Housing Material: Aluminum alloy



## Explosion Proof

**Housing Material:** Aluminum alloy, SS316 available

- Explosion Proof Certificate on Housing Only
- Taiwan Explosion Proof Certification



unit=mm

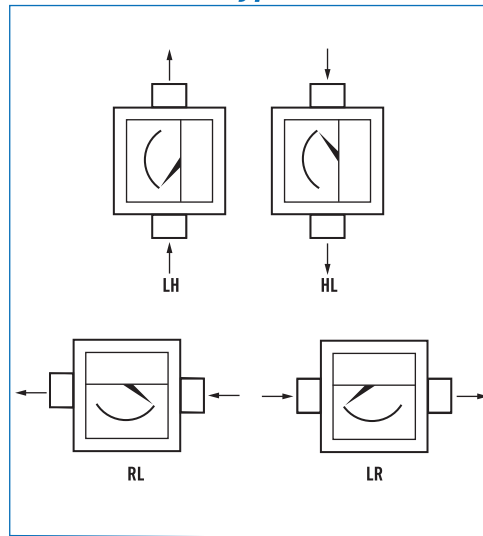
unit=mm



## Standard Scales

Tube	L/H Water 20°C	NM <sup>3</sup> /H Air 0°C 1.013bar	A	B	C	BSP/ NPT
OF106	40 ~ 210	1 ~ 5		150		¼" & ½"
OF107	60 ~ 330	1.5 ~ 7.5		150		¼" & ½"
OF108	70 ~ 400	1.6 ~ 8		150		¼" & ½"
OF109	120 ~ 650	3 ~ 15		150		¼" & ½"
OF110	160 ~ 800	4 ~ 20		150		¼" & ½"
OF111	190 ~ 950	4.8 ~ 24		150		¼" & ½"
OF112	300~1500	6.4 ~ 32		150		¼" & ½"
OF113	200~1000	8 ~ 40		150		¾"
OF114	350 ~ 1900	10 ~ 50		150		¾"
OF115	500 ~ 2700	13 ~ 65		150		¾"
OF116	700 ~ 3500	18 ~ 90		150		1"
OF117	1200 ~ 6000	20 ~ 150		150		1"
OF118	1000 ~ 5000	20 ~ 150		160		1½"
OF119	2000 ~ 10000	23 ~ 175		160		1½"
OF120	3000 ~ 15000	70~ 350		160		1½"
OF121	3200 ~ 16000	100 ~ 500		160		2"
OF122	3200 ~ 16000	50 ~ 400		160		2½"
OF123	6000 ~ 30000	140 ~ 740		160		2½"

## Flow Direction Type



## Ordering Information

OF100	Code	Type	Code	Housing Protection / Material
<b>SIL2 Certified</b>	<b>NS</b>	Indicating only (Aluminum alloy)	<b>A</b>	Weather proof type, IP66 / IP68
	<b>ES</b>	Indicating only (SS316)	<b>C</b>	(Ex. Certificate on Housing only) / Aluminum alloy Class I, Groups B, C & D; Class II, Groups E, F & G; NEMA 4, 7, 9
	<b>CS</b>	With Inductive Switch	<b>D</b>	(Taiwan Explosion Proof Certification) / Aluminum alloy Ex d IIB + H <sub>2</sub> T6 Gb
	<b>GS</b>	<b>MS</b> With Micro Switch	<b>D1</b>	(Taiwan Explosion Proof Certification) / SS316 Ex d IIB + H <sub>2</sub> T6 Gb
		<b>RS</b> With Reed Switch	<b>X</b>	(Europe Union ATEX Certification) / Aluminum alloy II 2 G Ex db IIB + H <sub>2</sub> T6 Gb Ta -20°C to +60°C
	<b>GT</b>	Indicating+4~20mA (no alarm switch available)	<b>G</b>	(China Explosion Proof Certification) / Aluminum alloy Ex d IIB + H <sub>2</sub> T6 Gb
	<b>GTA</b>	Hall Sensor Type / Indicating + 4~20mA (no alarm switch available)		
	<b>GTH</b>	HART Type / Indicating + HART (no alarm switch available)		
		<b>Code</b> <b>Switch</b>		
		<b>O</b> Without alarm switch		
	<b>C1</b> One inductive alarm switch	<b>C2</b> Two inductive alarm switches		
	<b>M1</b> One micro alarm switch	<b>M2</b> Two micro alarm switches		
	<b>R1</b> One reed switch			
	<b>Code</b> <b>Body Material</b>			
	<b>A</b> SS316	<b>B</b> Option		
	<b>Code</b> <b>Connection Type</b>			
	(O) Thread Connection			
	(5) JIS 5K (10) JIS 10K (20) JIS 20K			
	(15) ANSI 150# (30) ANSI 300#			
	(40) ANSI 400# (60) ANSI 600#			
	(T) Other: _____			
	<b>Code</b> <b>Connection Size</b>			
	(1) ¼" (2) ½" (3) ¾" (4) 1"			
	(5) 1½" (6) 2" (7) 2½"			
	<b>Code</b> <b>Flow Direction</b>			
	(O) LH (5) HL (10) RL (20) LR			
	<b>Code</b> <b>Fluid</b>			
	(G) Gas (O) Oil (L) Liquid			
	<b>Code</b> <b>Range</b>			
	S Standard Range			
	<b>Code</b> <b>Conduit</b>			
	(N) Without			
	(1) ½"NPT(F) (2) ¾"NPT(F)			
	<b>CE Mark Request :</b> If stamp the CE <sub>2810</sub> mark is necessary, please consult with the manufacturer.			