

# 2-PIECE BALL VALVE NV2TH SERIES

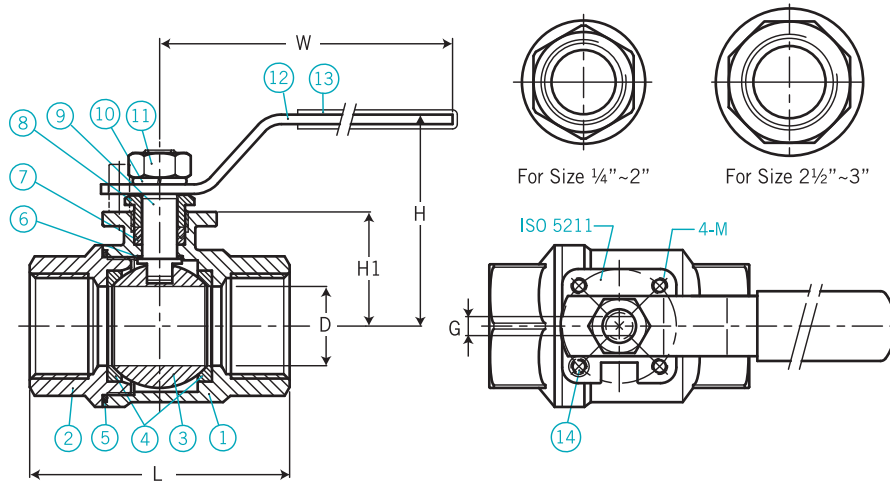
## With Mounting Pad

### Technical Data

- ISO 5211 Mounting Pad
  - Full Port
  - Valves Inspected & Tested according to API 598 Standard
  - Investment Casting
  - Design: ASME B16.34
- Material:** ASTM-A351-CF8M , ASTM-A351-CF8, ASTM-A351-CF3M , ASTM-A216-WCB
- Working Pressure:** ¼"~2" 1000 WOG; 2½"~3" 800 WOG
- Size Ranging:** ¼"~3" (DN8~DN80)
- End Connections:** DIN2999 / DIN259 / BSPT / NPT
- Options:** Locking Device

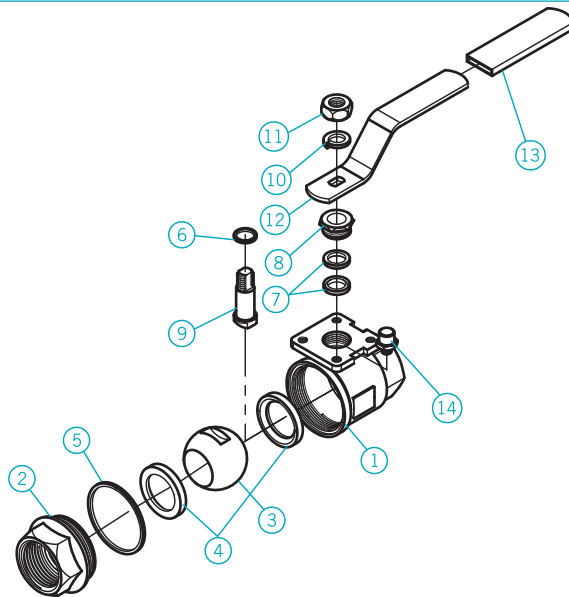


### Dimensions & Material List



#### Dimension Data-mm

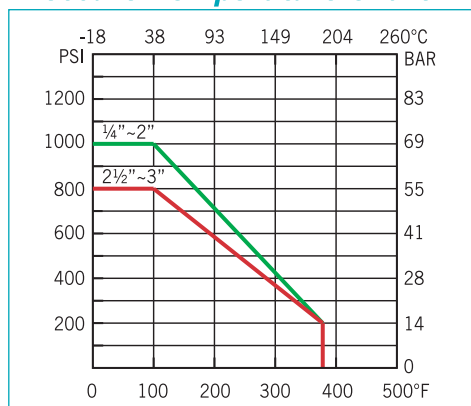
| SIZE | G    | D    | H   | H1 | L    | M   | ISO5211  | W   |
|------|------|------|-----|----|------|-----|----------|-----|
| 1/4" | 5.5  | 11.5 | 56  | 25 | 58   | M5  | F03/ø36  | 123 |
| 3/8" | 5.5  | 12.5 | 56  | 25 | 58   | M5  | F03/ø36  | 123 |
| 1/2" | 5.5  | 15   | 59  | 28 | 62   | M5  | F03/ø36  | 123 |
| 3/4" | 5.5  | 20   | 62  | 31 | 70   | M5  | F03/ø36  | 123 |
| 1"   | 6.3  | 25   | 68  | 36 | 81.5 | M6  | F04/ø42  | 132 |
| 1¼"  | 6.3  | 32   | 88  | 42 | 96   | M6  | F05/ø50  | 151 |
| 1½"  | 9.6  | 38   | 100 | 55 | 111  | M6  | F05/ø50  | 186 |
| 2"   | 9.6  | 50   | 108 | 63 | 126  | M6  | F05/ø50  | 186 |
| 2½"  | 9.6  | 65   | 125 | 75 | 155  | M8  | F07/ø70  | 226 |
| 3"   | 12.2 | 80   | 136 | 86 | 181  | M10 | F10/ø102 | 269 |



#### Material List

| NO. | Description     | Qty | Material       |               |
|-----|-----------------|-----|----------------|---------------|
| 1   | Body            | 1   | ASTM-A351-CF8M | ASTM-A216-WCB |
| 2   | Cap             | 1   | ASTM-A351-CF8M | ASTM-A216-WCB |
| 3   | Ball            | 1   | ASTM-A351-CF8M | ASTM-A351-CF8 |
| 4   | Seat            | 2   | PTFE           | PTFE          |
| 5   | Joint Gasket    | 1   | PTFE           | PTFE          |
| 6   | Thrust Washer   | 1   | PTFE           | PTFE          |
| 7   | Stem Packing    | 1   | PTFE           | PTFE          |
| 8   | Gland Nut       | 2   | SUS304         | SUS304        |
| 9   | Stem            | 1   | SUS316         | SUS304        |
| 10  | H-Spring Washer | 1   | SUS304         | SUS304        |
| 11  | Handle Nut      | 1   | SUS304         | SUS304        |
| 12  | Handle          | 1   | SUS304         | SUS304        |
| 13  | Handle Cover    | 1   | Plastic        | Plastic       |
| 14  | Stop Pin        | 1   | SUS304         | SUS304        |

### Pressure-Temperature Chart



### Ordering Information

| NV2TH | Code | Body Material                              |                        |
|-------|------|--|------------------------|
| ↓     | 1    | ASTM-A351-CF8M                             | 2 ASTM-A351-CF8        |
| ↓     | 3    | ASTM-A351-CF3M                             | 4 ASTM-A216-WCB        |
| ↓     | Code | Connection Size                            |                        |
| ↓     |      | (1) ¼" (2) ⅜" (3) ½" (4) ¾" (5) 1" (6) 1¼" |                        |
| ↓     |      | (7) 1½" (8) 2" (9) 2½" (10) 3"             |                        |
| ↓     | Code | End Connection Type                        |                        |
| ↓     |      | (A) DIN2999 (B) DIN259 (C) BSPT (D) NPT    |                        |
| NV2TH |      |  | Complete Ordering Code |