

3,4,5 WAY FLANGED BALL VALVE

NH6FC150-HL – ANSI 150LB NH6FJ10K-HL – JIS 10K

NH6FPN16-HL – DIN PN16 NH6FPN40-HL – DIN PN40

– With ISO 5211 Mounting Pad

Technical Data

- ISO 5211 Direct Mounting Pad
- Standard Port
- Investment Casting
- Design: ASME B16.34
- Valves Inspected & Tested according to API 598 Standard

Material: ANSI 150LB– ASTM-A351-CF8M, ASTM-A351-CF8, ASTM-A351-CF3M, ASTM-A216-WCB

JIS 10K– SCS 14A / SCS 13A / SCS 16A / WCB

DIN PN16 & PN40– EN10213-1.4408, EN10213-1.4308, EN10213-1.4409, EN10213-1.0619

Working Pressure: ANSI Class 150 / JIS 10K / DIN PN16 / DIN PN40

Flange Dimension: ANSI B16.5 / JIS B2220 / DIN2543 / DIN2545

Face to Face: F1 (½"~2") / F15 (2½"~4")

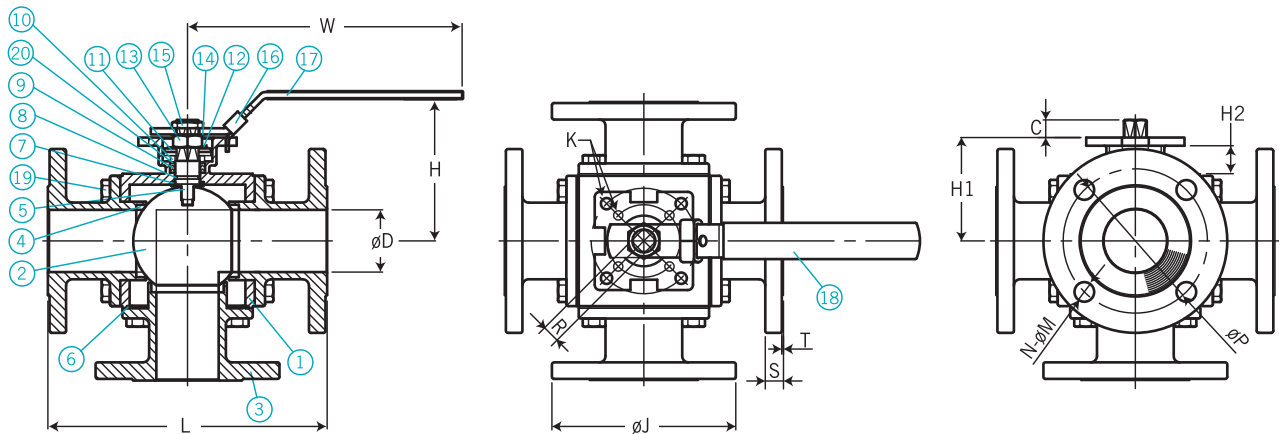
Size Ranging: ½"~4" (DN15~DN100); 1¼" (DN32) is not available

Ball Options: L Port / T Port / X Port

Option: With Locking Device



Dimensions

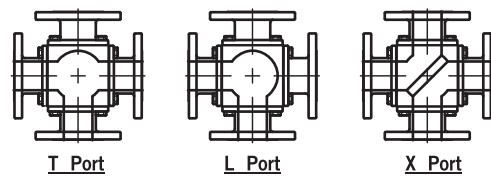


Dimension Data

unit=mm

Size	C	øD	H	H1	H2	øJ				K	L	øM				N				øP			
						ANSI 150	JIS 10K	DIN PN16	DIN PN40			ANSI 150	JIS 10K	DIN PN16	DIN PN40	ANSI 150	JIS 10K	DIN PN16	DIN PN40	ANSI 150	JIS 10K	DIN PN16	DIN PN40
1/2"	9	12.5	82	48	18.5	89	95	95	95	F03/F04	130	15.9	15	14	14	4	4	4	4	60.5	70	65	65
3/4"	9	15.8	87	53	20	98	100	100	100	F03/F04	150	15.9	15	14	14	4	4	4	4	70	75	75	75
1"	11	22.2	97	63	23	108	125	115	115	F04/F05	160	15.9	19	14	14	4	4	4	4	79.5	90	85	85
1½"	14	35	110.5	75.5	23.5	127	140	150	150	F05/F07	200	15.9	19	18	18	4	4	4	4	98.5	105	110	110
2"	14	47.5	118	83	21	152	155	165	165	F05/F07	230	19.1	19	18	18	4	4	4	4	120.5	120	125	125
2½"	17	60.2	135	100	27	178	175	185	185	F07/F10	270	19.1	19	18	18	4	4	4	4	140	140	145	145
3"	17	73	160	125	37.5	190.5	185	200	200	F07/F10	280	19.1	19	18	18	4	8	8	8	152.5	150	160	160
4"	22	80	184	135	38.5	229	210	220	235	F10/F12	330	19.1	19	18	22	8	8	8	8	190.5	175	180	190

Size	R	S				T				W
		ANSI 150	JIS 10K	DIN PN16	DIN PN40	ANSI 150	JIS 10K	DIN PN16	DIN PN40	
1/2"	9	11.2	12	16	16	1.6	1	2	2	135
3/4"	9	11.2	14	18	18	1.6	1	2	2	135
1"	11	11.2	14	18	18	1.6	1	2	2	200
1½"	14	14.3	16	18	18	1.6	2	3	3	220
2"	14	15.9	16	20	20	1.6	2	3	3	240
2½"	17	17.5	18	18	22	1.6	2	3	3	460
3"	17	19	18	20	24	1.6	2	3	3	460
4"	22	23.8	18	20	24	1.6	2	3	3	500



Port	Turn	0°	90°	180°	270°
		L			
T					
X					

