

# 1-PIECE FLANGED BALL VALVE

## NH1FPN16-NL SERIES

- 5"~6" DIN PN16 Flange End
- With Direct Mounting Pad



### Technical Data

- ISO 5211 Direct Mounting Pad
- Standard Port (5"~6")
- Investment Casting
- Design: ASME B16.34
- Valves Inspected & Tested according to API 598 Standard

Without Locking Device

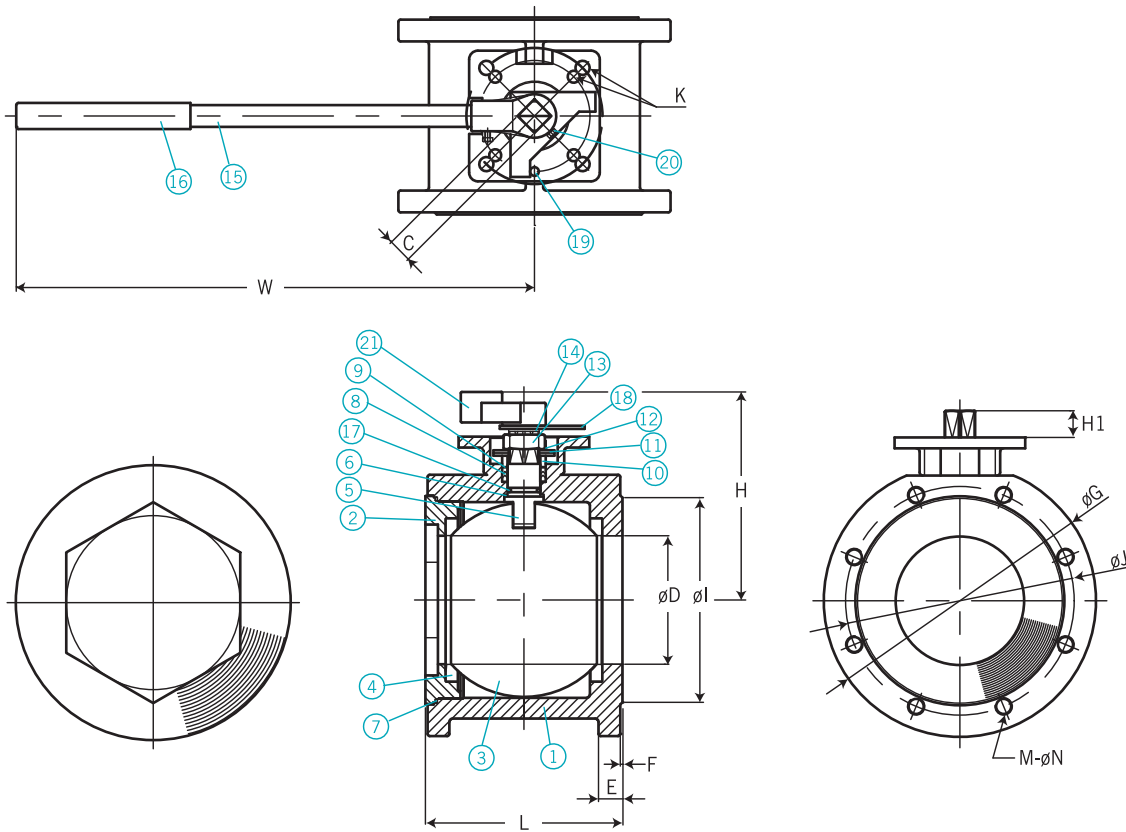
Material: EN10213-1.4408, EN10213-1.4308,  
EN10213-1.4409, EN10213-1.0619

Working Pressure: DIN PN16

Flange Dimension: EN 1092-1

Size Ranging: 5"~6" (DN125~DN150)

### Dimensions

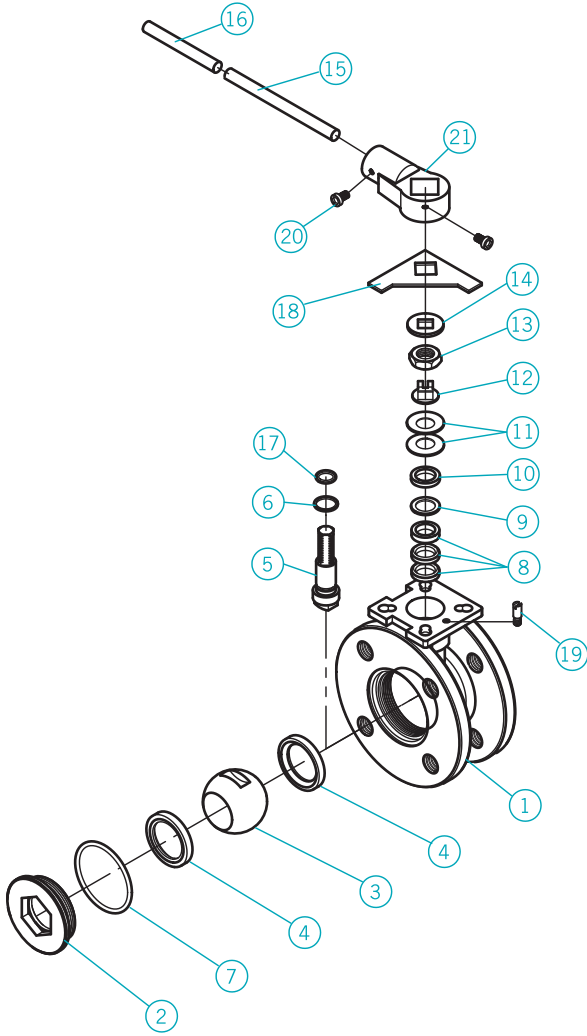


### Dimension Data

SIZE	C	øD	E	F	øG	H	H1	øI	øJ	K	L	M	øN	W
DN125	5"	22	118	22	2	250	140	22	188	F10/F12	181	8	M16	476
DN150	6"	22	135	22	2	250	200	22	212	F10/F12	204	8	M20	476

unit:mm

## Parts & Material List



### Material List

NO.	Description	Qty	Material	
1	Body	1	ASTM-A351-CF8M	ASTM-A216-WCB
2	Cap	1	ASTM-A351-CF8M	ASTM-A216-WCB
3	Ball	1	ASTM-A351-CF8M	ASTM-A351-CF8
4	Seat	2	PTFE	PTFE
5	Stem	1	SUS316	SUS304
6	Thrust Washer	1	PTFE	PTFE
7	Joint Gasket	1	Viton	Viton
8	Stem Packing	1	PTFE	PTFE
9	Thrust Washer	1	PTFE 15%	PTFE 15%
10	Gland Bush	1	SUS304	SUS304
11	Belleville Washer	2	SUS301	SUS301
12	Stop Washer	1	SUS304	SUS304
13	Stem Nut	1	SUS304	SUS304
14	Square Washer	1	SUS304	SUS304
15	Handle	1	SUS304	SUS304
16	Handle Cover	1	Plastic	Plastic
17	O-Ring of Stem	1	Viton	Viton
18	Stopper	1	SUS304	SUS304
19	Stop Pin	1	SUS304	SUS304
20	Bolt	2	SUS304	SUS304
21	Lever Head	1	ASTM-A351-CF8	ASTM-A351-CF8

## Ordering Information

NH1FPN16-NL	Code	Body Material	
	1	EN10213-1.4408	2 EN10213-1.4308
	3	EN10213-1.4409	4 EN10213-1.0619
		<b>Code</b>	<b>Connection Size</b>
			(1) 5" (2) 6"
		<b>Code</b>	<b>Flange Rating</b>
		A	DIN PN16
<b>NH1FPN16-NL</b>			<b>Complete Ordering Code</b>