

1-PIECE FLANGED BALL VALVE – With ISO 5211 Mounting Pad

NH1FC150-HL – ANSI 150LB

NH1FPN16-HL – DIN PN16

NH1FPN40-HL – DIN PN40

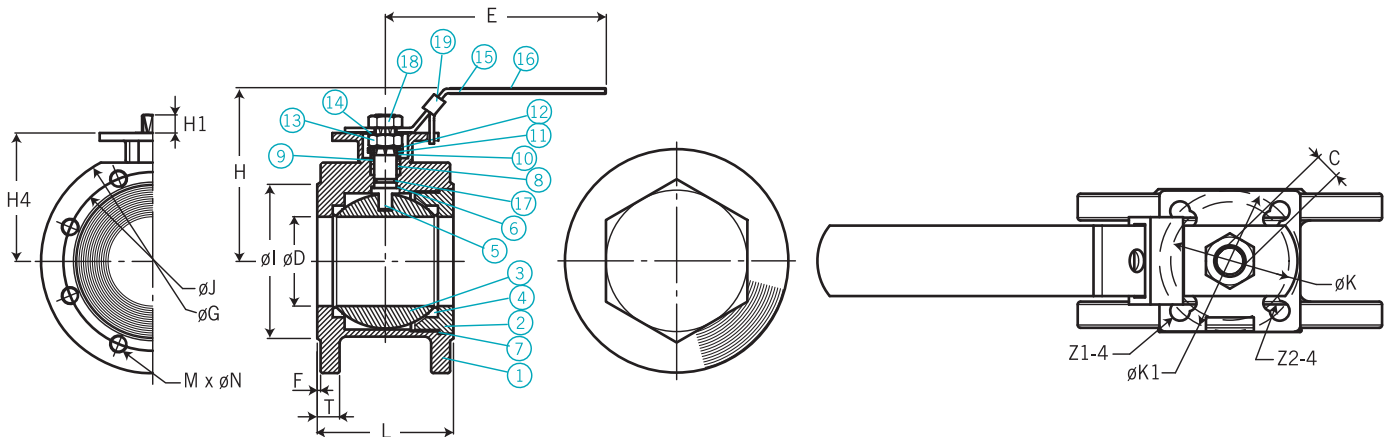


Technical Data

- ISO 5211 Direct Mounting Pad
 - Full Port
 - Investment Casting
 - Fire Safe Design
 - Design: ASME B16.34
 - Valves Inspected & Tested according to API 598 Standard
- Material: ANSI 150LB– ASTM-A351-CF8M, ASTM-A351-CF8, ASTM-A351-CF3M, ASTM-A216-WCB
 DIN PN16 & PN40– EN10213-1.4408, EN10213-1.4308, EN10213-1.4409, EN10213-1.0619

Working Pressure: ANSI Class 150 / DIN PN16 / DIN PN40
 Flange Dimension: EN 1759-1 / EN1092-1
 Face to Face Dimension: DIN3202 / F1 Type
 Size Ranging: ANSI Class 150 & PN16: ½"~4" (DN15~DN100); PN40: ½"~1½" (DN15~DN40)
 With Locking Device

Dimensions



Dimension Data

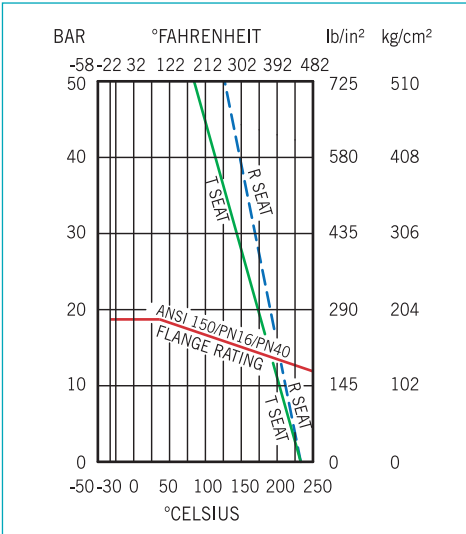
SIZE	D	L	E	H	H1			H4	C	øG			øJ			øI			T			
					ANSI 150	DIN PN16	DIN PN40			ANSI 150	DIN PN16	DIN PN40	ANSI 150	DIN PN16	DIN PN40	ANSI 150	DIN PN16	DIN PN40	ANSI 150	DIN PN16	DIN PN40	
DN15	1/2"	15	42	135	84.5	9	7	7	50.5	9	89	95	95	60.5	65	65	45	45	45	/	/	/
DN20	3/4"	20	44	135	91	9	7	7	57	9	98	105	105	70	75	75	58	58	58	/	/	/
DN25	1"	25	51	150	96	9	9	9	62	9	108	115	115	79.5	85	85	51	68	68	11.2	18	18
DN32	1 1/4"	32	56	150	105.5	9	9	9	71.5	9	117	140	140	89	100	100	64	78	78	12.7	18	18
DN40	1 1/2"	38	65	200	120	11	11	11	86	11	127	150	150	98.5	110	110	73	88	88	14.3	18	18
DN50	2"	50	80	200	127	11	11	/	93	11	152	165	/	120.5	125	/	92	102	/	15.9	20	/
DN65	2 1/2"	65	102	248.5	140	14	14	/	105	14	178	185	/	139.5	145	/	105	122	/	17.5	18	/
DN80	3"	80	122	265.5	150	14	14	/	115	14	190	200	/	152.5	160	/	127	138	/	19	20	/
DN100	4"	100	153	335	167	17	17	/	132	17	229	220	/	190.5	180	/	157	158	/	23.8	20	/

SIZE	F			M x øN	øK	øK1	Z1-4	Z2-4
	ANSI 150	DIN PN16	DIN PN40					
DN15	1/2"	/	/	4x1/2"-13UNC	F04	F03	6	6
DN20	3/4"	/	/	4x1/2"-13UNC	F04	F03	6	6
DN25	1"	1.6	2	4x1/2"-13UNC	F05	F04	7	6
DN32	1 1/4"	1.6	2	4x1/2"-13UNC	F05	F04	7	6
DN40	1 1/2"	1.6	3	4x1/2"-13UNC	F07	F05	9	7
DN50	2"	1.6	3	4x5/8"-11UNC	F07	F05	9	7
DN65	2 1/2"	1.6	3	4x5/8"-11UNC	F10	F07	11	9
DN80	3"	1.6	3	4x5/8"-11UNC	F10	F07	11	9
DN100	4"	1.6	3	8x5/8"-11UNC	F12	F10	13	11

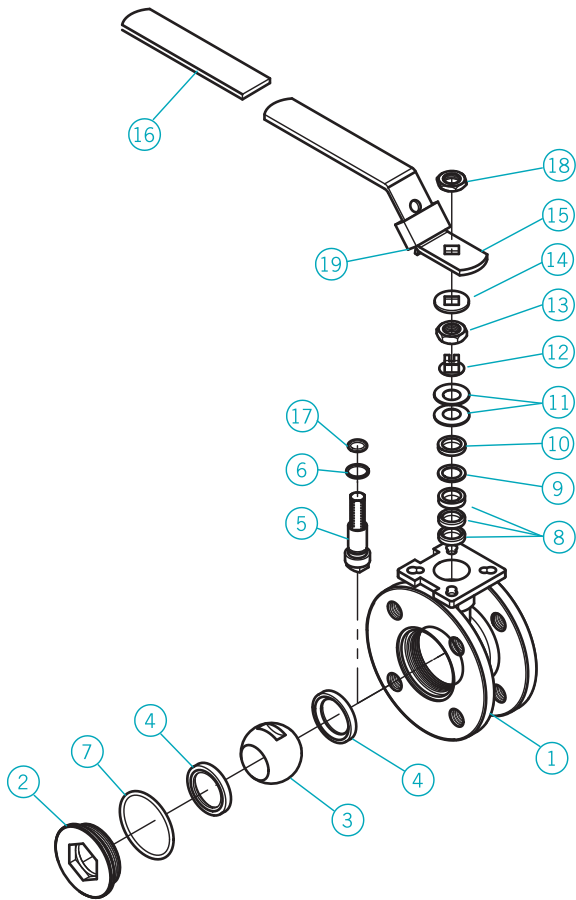
NOTE.

1. The data of T and F is unavailable for the size ½" and ¾".
2. DIN PN40 is only for the size ½" to 1½".

Pressure-Temperature Chart



Parts & Material List



Material List

NO.	Description	Qty	Material	
1	Body	1	ASTM-A351-CF8M	ASTM-A216-WCB
2	Cap	1	ASTM-A351-CF8M	ASTM-A216-WCB
3	Ball	1	ASTM-A351-CF8M	ASTM-A351-CF8
4	Seat	2	PTFE	PTFE
5	Stem	1	SUS316	SUS304
6	Thrust Washer	1	PTFE	PTFE
7	Joint Gasket	1	Viton	Viton
8	Stem Packing	1	PTFE	PTFE
9	Thrust Washer	1	PTFE 15%	PTFE 15%
10	Gland Bush	1	SUS304	SUS304
11	Belleville Washer	2	SUS301	SUS301
12	Stop Washer	1	SUS304	SUS304
13	Stem Nut	1	SUS304	SUS304
14	Square Washer	1	SUS304	SUS304
15	Handle	1	SUS304	SUS304
16	Handle Cover	1	Plastic	Plastic
17	O-Ring of Stem	1	Viton	Viton
18	Handle Nut	1	SUS304	SUS304
19	Locking Pad	1	SUS304	SUS304

Ordering Information

Model	Flange Rating	
NH1FC150-HL	ANSI Class 150	
NH1FPN16-HL	DIN PN16	
NH1FPN40-HL	DIN PN40	
	Code	Connection Size
		(1) ½" (2) ¾" (3) 1" (4) 1¼" (5) 1½" (6) 2" (7) 2½" (8) 3" (9) 4"
	Code	Body Material
	ANSI	(1) ASTM-A351-CF8M (2) ASTM-A351-CF8 (3) ASTM-A351-CF3M (4) ASTM-A216-WCB
	DIN	(5) EN10213-1.4408 (6) EN10213-1.4308 (7) EN10213-1.4409 (8) EN10213-1.0619
		Complete Ordering Code

Ordering code example:

NH1FPN40-HL-5-DIN(5)
 → NH1FPN40-HL= Model
 → 5= Connection Size (DN40 PN40)
 → DIN(5)= Body Material (EN10213-1.4408)

NOTE.:
 DIN PN40 is only for the size ½"(DN15) to 1½"(DN40).