

1-PIECE BALL VALVE

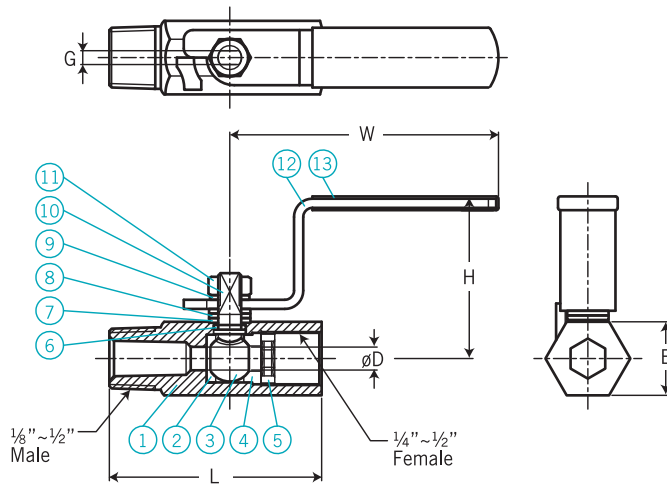
ND1T SERIES

Technical Data

- Reduced Port
- Valves Inspected & Tested according to API 598 Standard
- Investment Casting
- Design: ASME B16.34
- Material: ASTM-A351-CF8M , ASTM-A351-CF8
- Working Pressure: 1000 WOG / PN63
- Size Ranging: 1/8"~1/2" (DN6~DN15)
- End Connections: DIN2999 / DIN259 / BSPT / NPT
- Male End x Female End: 1/8"(M) x 1/4"(F); 1/4"(M) x 1/4"(F); 3/8"(M) x 3/8"(F) ; 1/2"(M) x 1/2"(F)

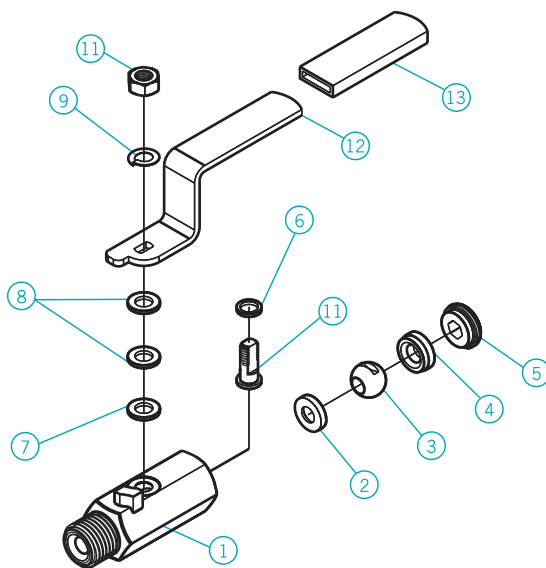


Dimensions & Material List



Dimension Data-mm

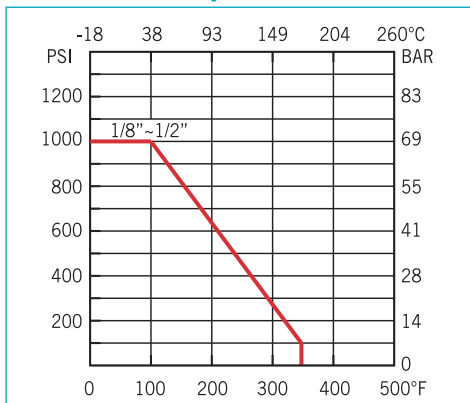
SIZE	øD	E	H	L	W	G
1/8"	5	17	31	46.5	58	3
1/4"	5	17	31	46.5	58	3
3/8"	7	21	33	50.5	68	4
1/2"	9	25	42	60.5	78	5



Material List

NO.	Description	Qty	Material	
1	Body	1	ASTM-A351-CF8M	ASTM-A351-CF8
2	Ball Seat	1	PTFE	PTFE
3	Ball	1	ASTM-A351-CF8M	ASTM-A351-CF8
4	Cap Seat	1	PTFE	PTFE
5	Cap	1	ASTM-A351-CF8M	ASTM-A351-CF8
6	Thrust Washer	1	PTFE	PTFE
7	Stem Packing	1	PTFE	PTFE
8	Washer	2	SUS304	SUS304
9	Spring Washer	1	SUS304	SUS304
10	Stem	1	SUS316	SUS304
11	Stem Nut	1	SUS304	SUS304
12	Handle	1	SUS304	SUS304
13	Handle Cover	1	Plastic	Plastic

Pressure-Temperature Chart



Ordering Information

ND1T	Code	Body Material	
	1	ASTM-A351-CF8M	2 ASTM-A351-CF8
		Code Connection Size (Male x Female)	
		(1) 1/8" x 1/4" (2) 1/4" x 1/4"	
		(3) 3/8" x 3/8" (4) 1/2" x 1/2"	
		Code End Connection Type	
		(A) DIN2999 (B) DIN259 (C) BSPT (D) NPT	
ND1T			Complete Ordering Code