

FLOW SIGHT GLASS GAUGE

NAM SERIES – Self Clearing Available

NAM is used for mounting in pipes for fluids. The instruments are equipped with female threads at inlet and outlet and can be supplied with either brass or stainless steel fittings.

Technical Data

Self Clearing Function Available

Material: Body– SS316L; Tube Housing– Glass; O-Ring– Viton, NBR available
 Rotor– POM (Orange), PP+10% glass fiber (Yellow), PPS+40% glass fiber (Dark Brown), PVDF (Red or White) available; Rotor Guide– SS316; Thread Connection– SS316

Viscosity: 1–150 mm²/s

Indication Range: Minimum 0.4–4 L/Min; Maximum 8–100 L/Min for water

Max. Pressure: SS316L body: 16 bar @20°C ; High pressure type: 80 bar@20°C

Max. Temperature: SS316L body: -5°C~+150°C; Rotors: Please refer to the Optional for Rotors

Connection Size: 1/4", 3/8", 1/2", 3/4", 1", 1 1/4", 1 1/2" female PF or NPT available

High pressure with or without rotor: 1/2", 3/4" and 1" female PF or NPT available

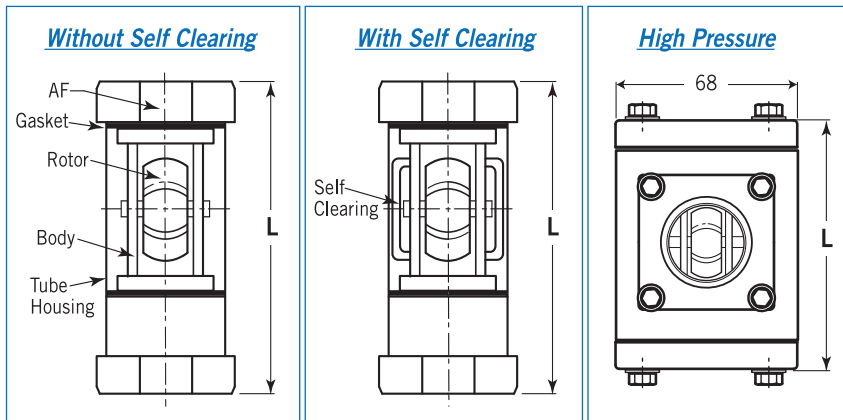


(High Pressure with Rotor)

Approvals:



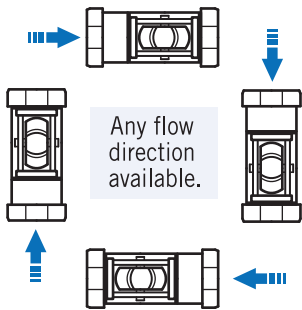
Dimensions



Dimension Data & Range Table:

SIZE	L (unit=mm)			SPANNER SIZE (AF) NPT/PF	FLOW RANGE (WATER)
	NPT	PF	High Pressure		
1/4"	71	71	N/A	36	0.4~4 L/Min
3/8"	71	71	N/A	36	0.6~8 L/Min
1/2"	86	86	93	46	1~12 L/Min
3/4"	94	94	93	46	1~25 L/Min
1"	104	104	93	46	1.6~40 L/Min
1 1/4"	120	120	N/A	65	8~80 L/Min
1 1/2"	130	130	N/A	65	8~100 L/Min

Flow Direction



Optional for Rotors

POM Color: Orange Temp. Limit: 100°C	PP+10% Glass Fiber Color: Yellow Temp. Limit: 60°C	PPS+40% Glass Fiber Color: Dark Brown Temp. Limit: 200°C	PVDF Color: Red or White Temp. Limit: 100°C

NOTE. The temperature limit above-mentioned is only for the reference to the rotors. Please also considering the max. temperature of body in the operating.

Ordering Information

NAM	Code	Type	Code	Rotor Material (Color)
	1	Standard with rotor	2	Standard without rotor
	3	High pressure with rotor	4	High pressure without rotor
	Code	Body / Tube Housing Material	1	POM (Orange)
	1	SS316L / Glass	2	PP+10% Glass Fiber (Yellow)
	Code	Connection Size	3	PPS+40% Glass Fiber (Dark Brown)
		(1) 1/4" (2) 3/8" (3) 1/2"	4	PVDF (Red)
		(4) 3/4" (5) 1" (6) 1 1/4" (7) 1 1/2"	5	PVDF (White)
	Code	Connection Rating	N	Without Rotor
	1	NPT Female	Code	Self Clearing
	2	PF Female		(1) With (2) Without
	Code	O-Ring Material	Code	CE Mark Request
	V	Viton	3	Stamp
	N	NBR	4	Without

NAM [] [] [] [] [] [] + [] [] [] [] Complete Ordering Code