

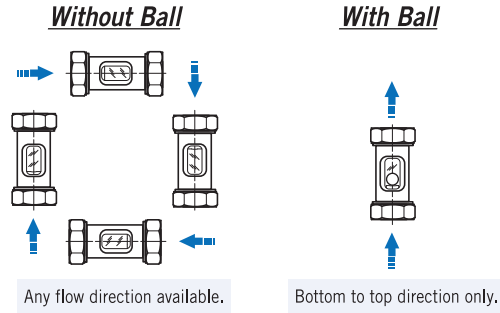
# FLOW SIGHT GLASS GAUGE NAC

NAC are used for mounting in small pipes for liquid fluids. The instruments are equipped with female threads at inlet and outlet and can be supplied with either brass fittings.

## Technical Data

**Material:** Body: Brass, SS316, HC-276, Monel 400, Duplex S31803 available;  
 Tube Housing: Borosilicate Glass; O-Ring: Viton; Thread Connection: Brass or SS316;  
 Ball: PTFE; Spring: SS316L  
**Max. Pressure:** 10 Bar  
**Max. Temperature:** 70°C  
**Connection Size:** 1/4", 3/8", 1/2" thread G(BSP) or NPT available, and option on request

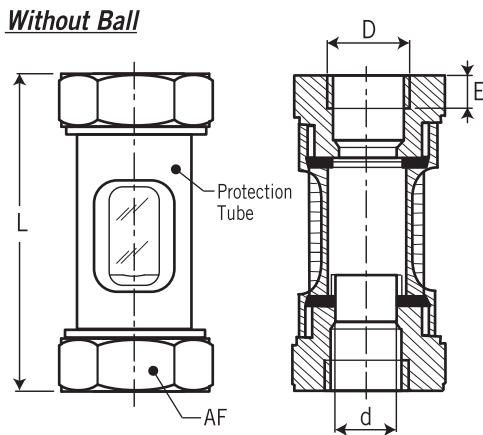
## Flow Direction



Brass Body

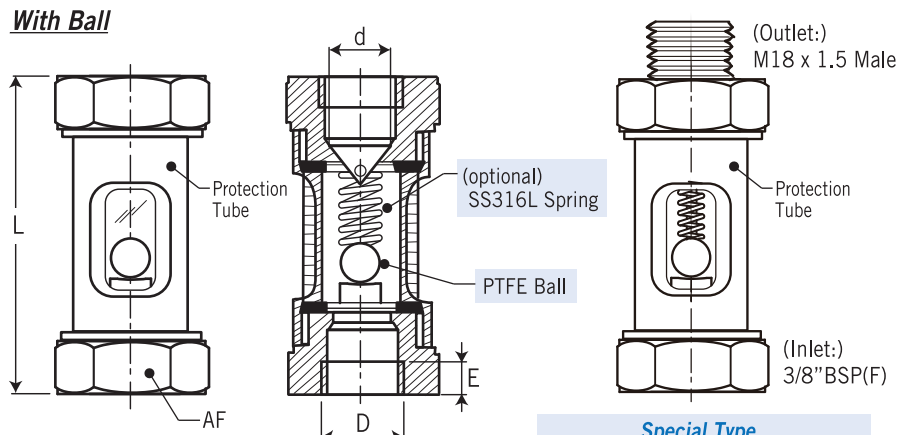
SS316 Body

## Dimensions



unit=mm

Size	L	AF	D	d	E	Weight (approx. kg)
1/4"	70	19	1/4"	5	12	0.085
3/8"	70	27	3/8"	8	12	0.17
1/2"	80	32	1/2"	12	15.5	0.28



unit=mm

Size	L	AF	D	d	E	Weight (approx. kg)
3/8"	80	32	3/8"	8	12	0.31
1/2"	80	32	1/2"	8	15.5	0.31

**Special Type**  
 This special type is on request. Please consult with the manufacturer for this special type.

## Ordering Information

NAC	Code	Connection Size							
	1	1/4"	2	3/8"	3	1/2"	0	Option	
		Code	Connection Rating						
		1	NPT (female)		2	G (BSP) (female)		3	Option
		Code	O-Ring Material						
		V	Viton						
		Code	Ball & Spring [*Spring only has SS316L material.]						
		D	Ball only		Ds	Both with		N	Without
		Code	Body Material [*Protection tube is Brass for code (B) ; SS316 for code (S)]						
			[*Protection tube is SS316L for code (H), (M4), (Du)]						
			(B) Brass (S) SS316 (H) Hastelloy C-276 (M4) Monel 400 (Du) Duplex S31803 (O) Option						
NAC									Complete Ordering Code