

# FULL BORE SAFETY VALVES N2-LP

## Technical Data

### Low Lift Safety Valves

**Material:** Body– Cast Bronze; Valve Seat– Forging Brass Seat, PTFE Soft Seat available

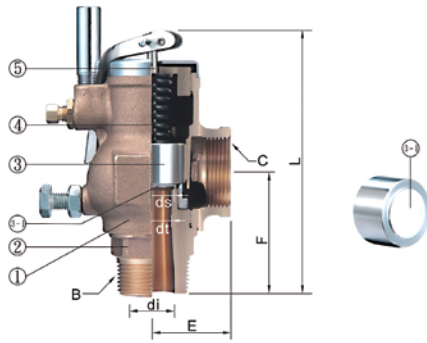
**Orifice Size:** 1”(25mm), 1¼”(32mm)

**Working Pressure:** 2~13 kgf/cm<sup>2</sup> (30~185 psig)

**Working Temperature:** -45°C~+185°C

**Working Fluid:** Please refer to the table of “General Material List”

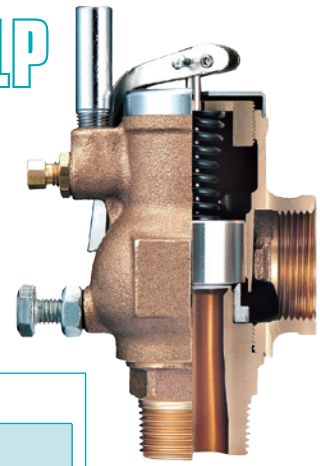
## Dimensions-mm



N2-LP Type  
Lever 1”~1¼”

## General Material List

NO.	Parts Name	Type	N2-LP LEVER
1.	Valve Body		Cast Bronze
2.	Valve Seat		Forging Brass Seat / PTFE Soft Seat
3.	Disc		SUS304
3-1.	Soft Seal		Teflon (PTFE)
4.	Spring		Steel
5.	Stem		SUS304
Working Pressure			2~13 kgf/cm <sup>2</sup>
Working Temp.			-45~185°C
Working Fluid			Noncorrosive Gas, Air, Steam



Soft Seal

### LEVER SERIES

ITEM SIZE	L	Inlet B	Outlet C	Inlet Orifice di	Throat Orifice dt	Valve Seat Orifice ds	Effective Discharge Areat mm <sup>2</sup>	E	F	Lift	Wt. Kg
1” x 1¼”	151	1”	1¼”	25	21	24.15	346.36	45	71	4.8	2
1¼” x 1¼”	151	1¼”	1¼”	25	21	24.15	346.36	45	71	4.8	2

## Blowout Capacity Table

### – Air

orifice set press.	Air Blowout Capacity (kg/h)	
	1” (25)	1¼” (32)
1 kgf/cm <sup>2</sup>	456	456
2 kgf/cm <sup>2</sup>	695	695
3 kgf/cm <sup>2</sup>	933	933
4 kgf/cm <sup>2</sup>	1172	1172
5 kgf/cm <sup>2</sup>	1411	1411
6 kgf/cm <sup>2</sup>	1650	1650
7 kgf/cm <sup>2</sup>	1889	1889
8 kgf/cm <sup>2</sup>	2127	2127
9 kgf/cm <sup>2</sup>	2366	2366
10 kgf/cm <sup>2</sup>	2605	2605
11 kgf/cm <sup>2</sup>	2844	2844
12 kgf/cm <sup>2</sup>	3083	3083
13 kgf/cm <sup>2</sup>	3321	3321

### – Steam

orifice set press.	Steam Blowout Capacity (kg/h)	
	1” (25)	1¼” (32)
1 kgf/cm <sup>2</sup>	281	281
2 kgf/cm <sup>2</sup>	424	424
3 kgf/cm <sup>2</sup>	567	567
4 kgf/cm <sup>2</sup>	709	709
5 kgf/cm <sup>2</sup>	852	852
6 kgf/cm <sup>2</sup>	995	995
7 kgf/cm <sup>2</sup>	1138	1138
8 kgf/cm <sup>2</sup>	1280	1280
9 kgf/cm <sup>2</sup>	1423	1423
10 kgf/cm <sup>2</sup>	1566	1566
11 kgf/cm <sup>2</sup>	1709	1709
12 kgf/cm <sup>2</sup>	1851	1851
13 kgf/cm <sup>2</sup>	1994	1994

## Ordering Information

N2-LP	Code	Valve Seat	
↓	O	Forging Brass	P Forging Brass + PTFE
		Code Pressure Rating	
	1A	2~13 kg/cm <sup>2</sup>	
		Code Size [Female inlet x Male outlet]	
		(A) 1” x 1¼” (B) 1¼” x 1¼”	
Complete Ordering Code			