

MINI SIZE LEVEL GAUGE

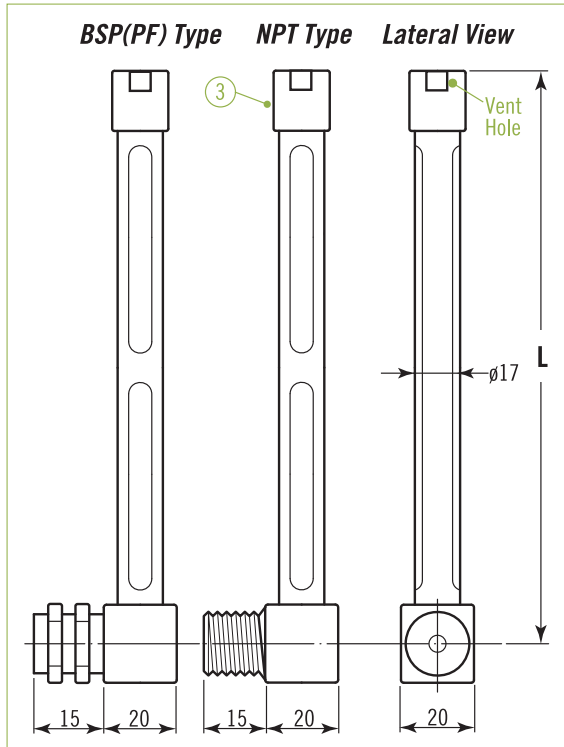
MLG SERIES

Technical Data

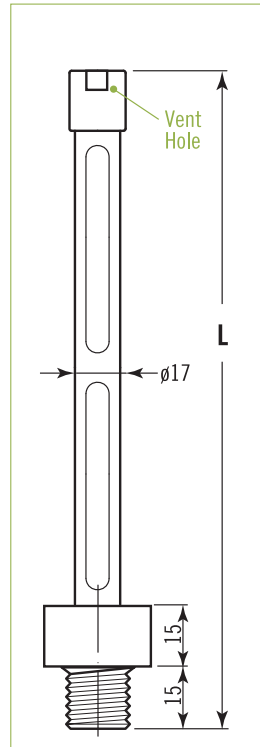
Application: for Oil tank, mini size tank
Material: Stainless steel 316
Connection type: NPT, BSP (PF) available
Connection size: 1/4", 3/8", 1/2" available
Gauge length: 80, 100, 125, 150, 200, 250, 300, 350mm; and option available
Mounting Type: Wall mounting or mounting in the cover available

Dimensions

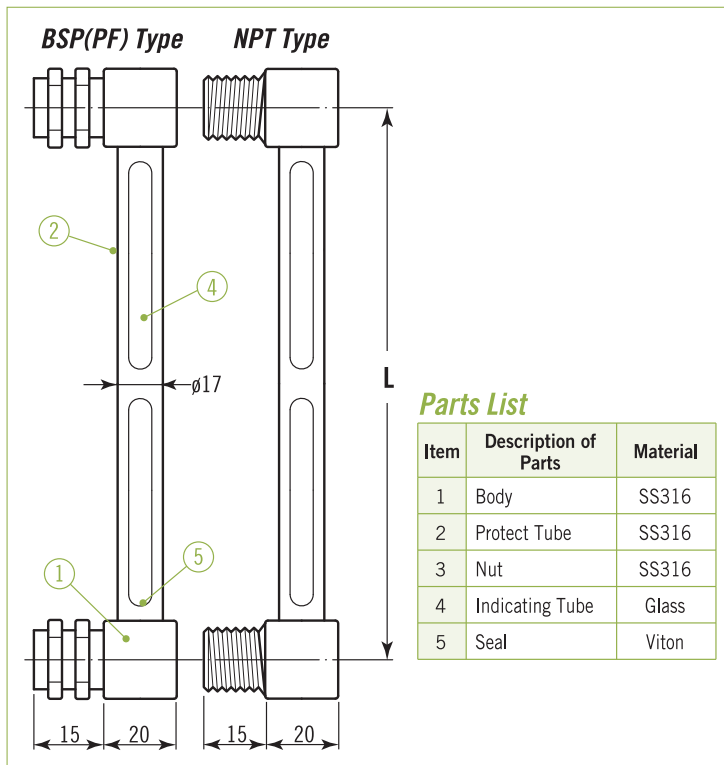
(A) Wall Mounting Type



(B) Mounting in the Cover



(C) Wall Mounting Type: Both side connection



Parts List

Item	Description of Parts	Material
1	Body	SS316
2	Protect Tube	SS316
3	Nut	SS316
4	Indicating Tube	Glass
5	Seal	Viton

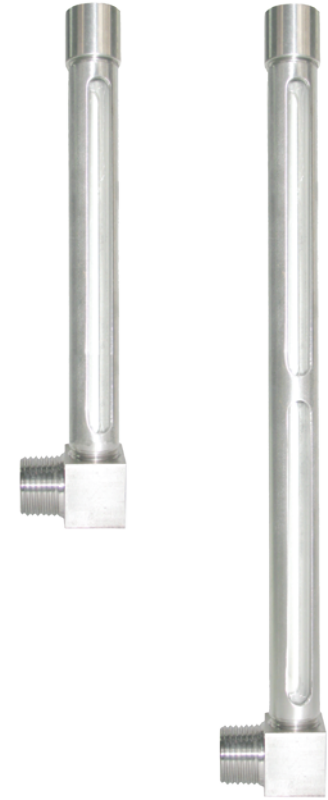


Table for Size & Mounting Type Select

✓: stock in our warehouse

Mounting Size	A-Type	B-Type	C-Type
	Wall mounting	Mounting in Cover	Wall mounting both side conn.
1/4" NPT	✓		✓
1/4" BSP	✓		✓
1/4" PT	✓		✓
3/8" NPT	✓		✓
3/8" BSP	✓		✓
3/8" PT	✓		✓
1/2" NPT	✓	✓	✓
1/2" BSP	✓	✓	✓
1/2" PT	✓	✓	✓
3/4" NPT	✓		✓
3/4" BSP	✓		✓
3/4" PT	✓		✓

Ordering Information

MLG	Code	Process Connection Size
		(A) 1/4" BSP (B) 1/4" NPT (C) 3/8" BSP (D) 3/8" NPT
		(E) 1/2" BSP (F) 1/2" NPT (G) option
	Code	Material
	(3)	SS316 (4) option
	Code	Gauge Length (L)
		(A) 80mm (B) 100mm (C) 125mm (D) 150mm (E) 200mm (F) 250mm (G) 300mm (H) 350mm (O) Option
	Code	Mounting Type
	A	Wall mounting
	B	Mounting in the cover
	C	Wall mounting: Both side connection
MLG		Complete Ordering Code