

METAL TUBE MINI FLOW METER MF100E

Technical Data

MF100E for mini low flow of gas, and liquid

Material: 316 stainless steel for case and body.

Indication: via magnetic coupling (no seals)

Flow rate: air- 8~150 NL/H
water- 0.1~2.5 L/H

Working Temperature:

Combine without electronic parts: -40°C~+180°C

Working Pressure: Standard 20 kg/cm²;
other options upon request

Connection size: 1/4" NPT or BSP available

Protection Class: IP66 / IP68

Accuracy: ± 5% FS

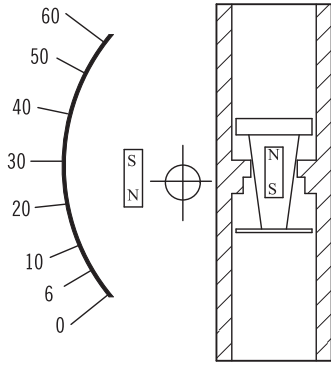
Approvals:

CE 2810

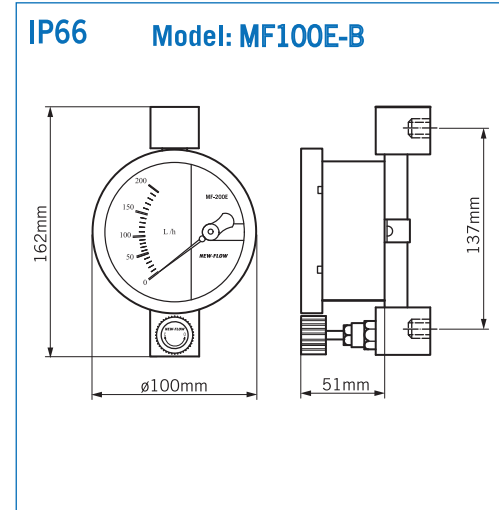
(PED: 2014/68/EU)



Principle



Dimensions



MF100E-B

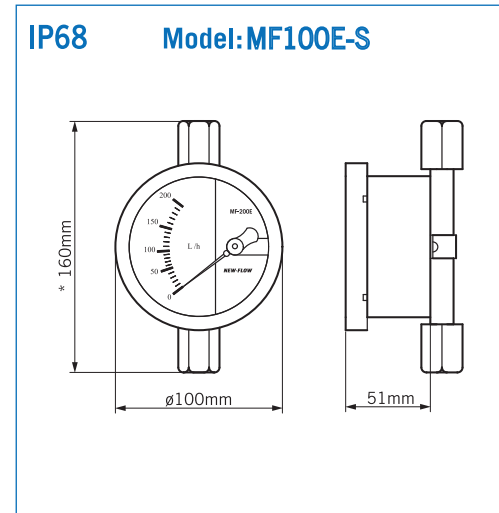
Basic Model:
Rear connection + needle valve

Standard Scales

Tube	NL/H Air 0°C 1.013bar	L/H Water 20°C	Accuracy
MF1001	8~40 NL/H	0.1~0.5 L/H	±5% F.S
MF1002	10~70 NL/H	0.3~1.5 L/H	±5% F.S
MF1003	15~90 NL/H	0.4~2.0 L/H	±5% F.S
MF1004	15~150 NL/H	0.5~2.5 L/H	±5% F.S

NOTE.

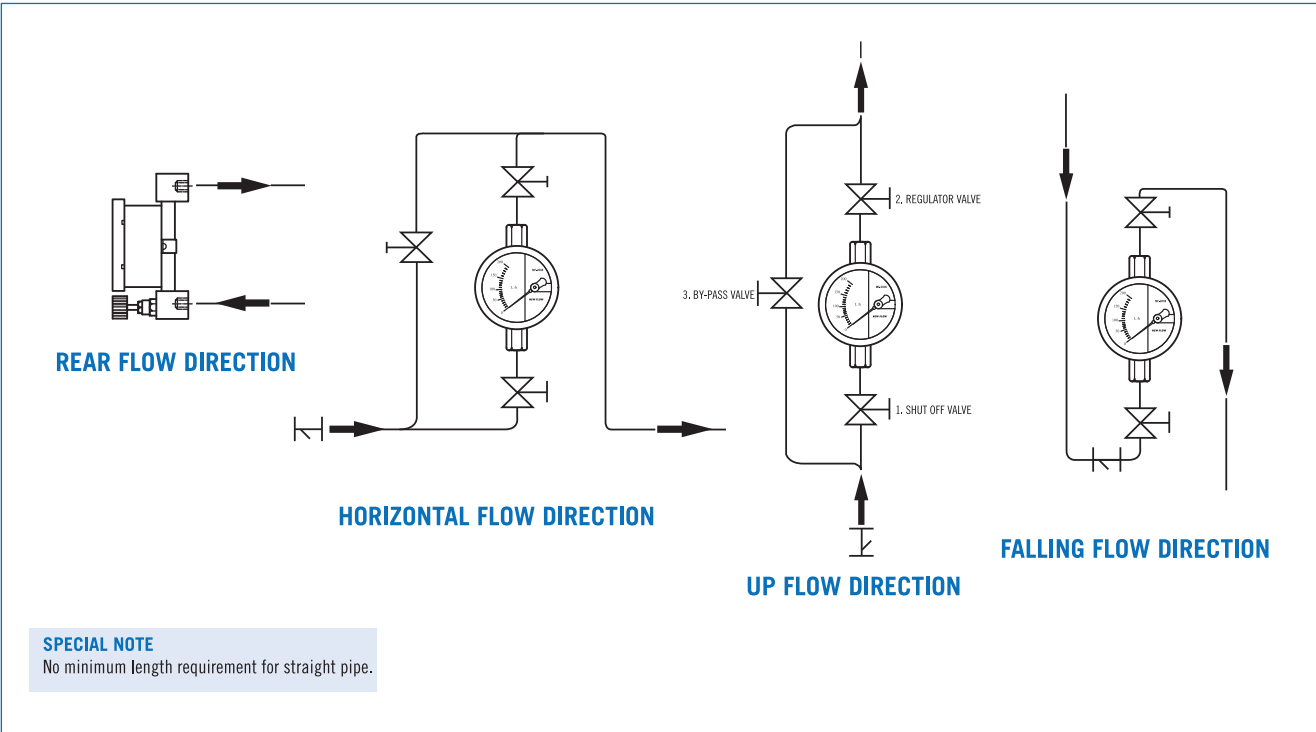
Performance Technical Data are effective with date of issue and are subject to change without prior notice.



MF100E-S

Basic Model:
Thread connection

Installation



Ordering Information

MF100E	Code	Connection	Code	Connection size
	S	Thread connection	4B	1/4" BSP (Female)
	B	Rear connection with needle valve	4N	1/4" NPT (Female)
		Code Type		Code Protection Class
		G Indicating only		IP IP66 (for MF100E-B) / IP68 (for MF100E-S)
		Code Alarm		Code Fluid
		0 Without alarm switch		G Gas
		Code Body material		L Liquid
		A SS316		Code Range
		Code Float & Wetted part material		S Standard range
		A SS316		Please directly fill out the flow range in the order code.
		Code Connection rating		
		0 Thread connection		

CE Mark Request :
If stamp the CE₂₈₁₀ mark is necessary, please consult with the manufacturer.

MF100E [] [] [] [] [] [] [] + [] [] [] [] [] [] []

NOTE:

1. Custom-made flow range and flange size upon request.
2. Please fill in the ordering information and service condition, and fax this sheet along with your inquiry to 886-7-8225588.

Special instruction, if any:

Service Condition:

Fluid name: _____

Sp. Gr. (density): _____

Viscosity: _____

Press.: _____

Temp.: _____

Full scale: _____