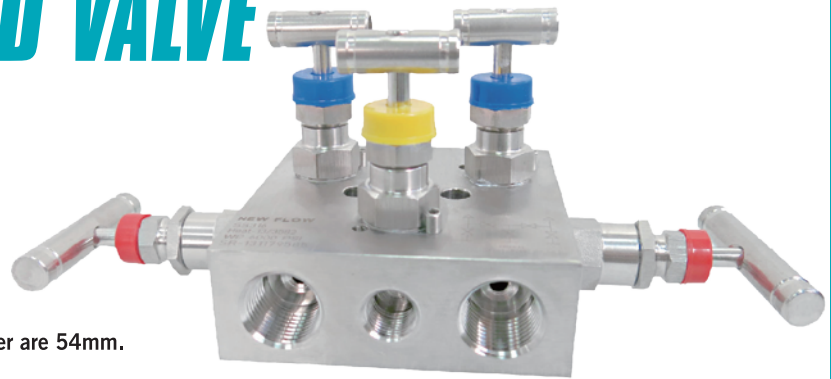


5-WAY MANIFOLD VALVE

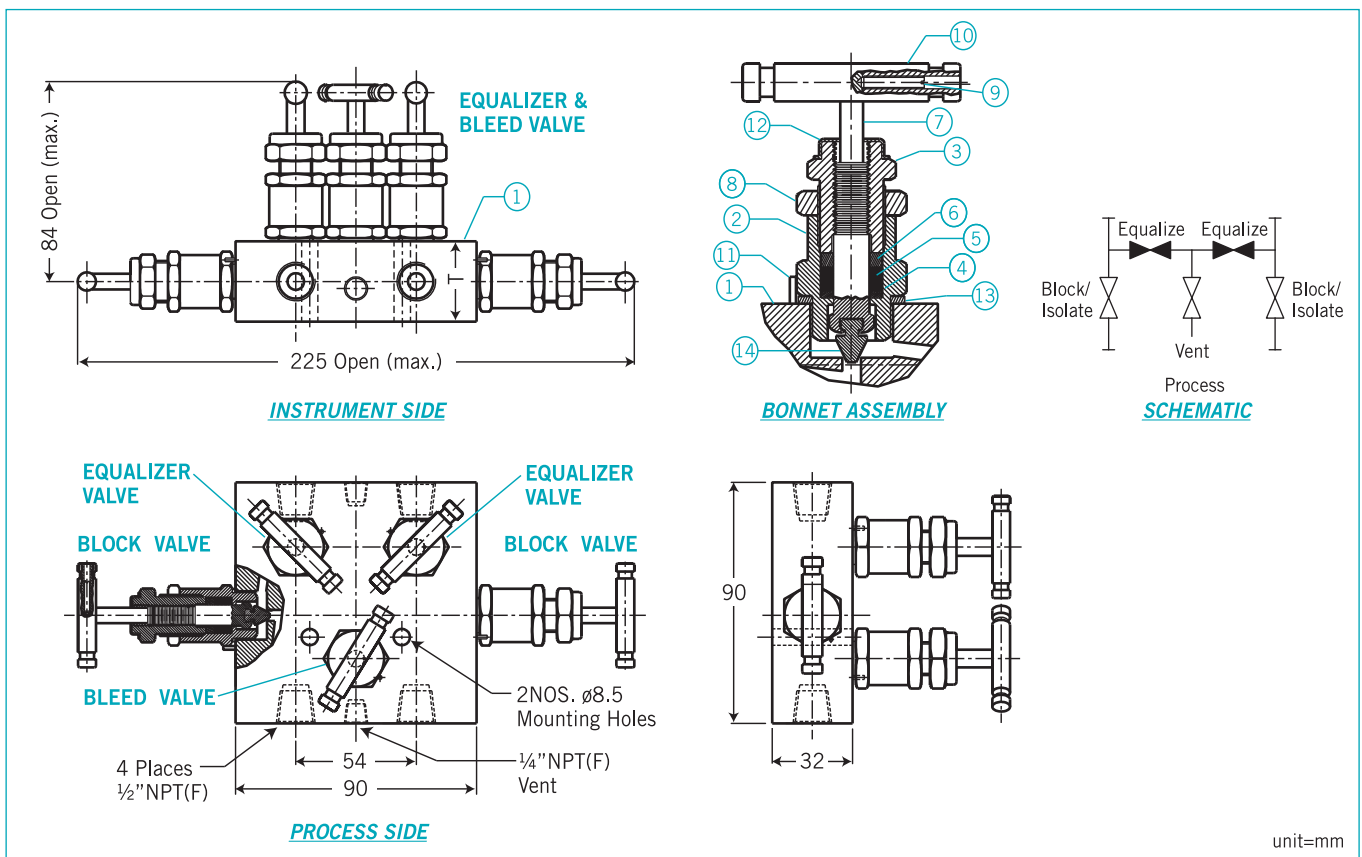
MD5-R – Pipe to Pipe Type

Technical Data

- Designed for D/P transmitter, thread connection.
 - Consists of two block valves, two equalizer valves and one bleed valve as well as one vent hole 1/4"NPT female.
 - Process connection 1/2"NPT female, and center to center are 54mm.
- Body Material:** SS316 (standard)
Valve Tip to Seat: Metal to Metal
Process Connection: 1/2"NPT Female
Insutrmnt Connection: 1/2"NPT Female
Working Pressure & Working Temperature: Please refer to the pressure/temperature table



Dimensions



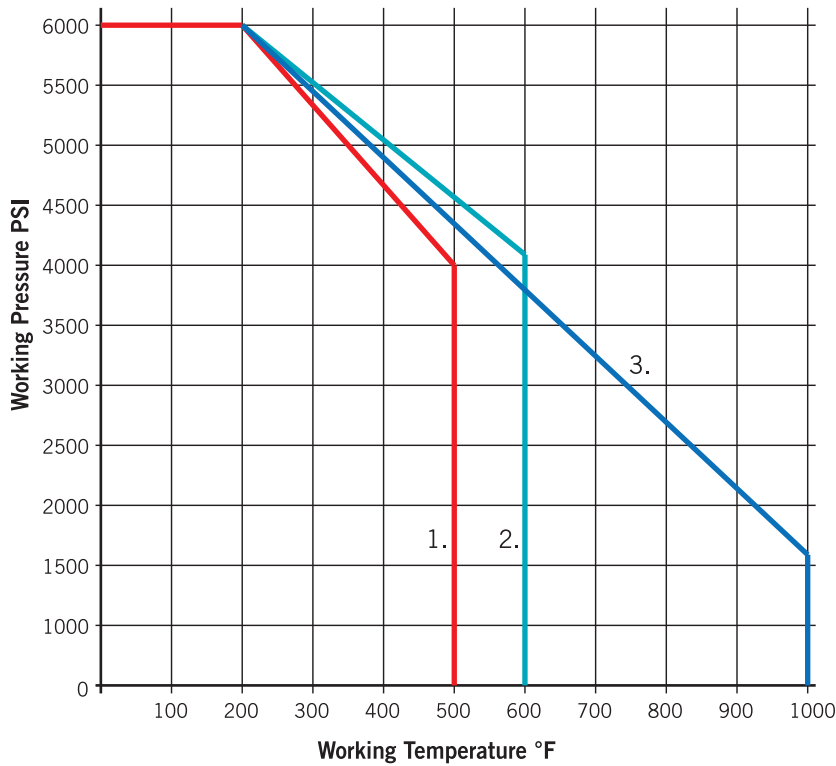
Parts List

| Item | Descriptoin | Material | Qty |
|------|----------------------|-----------------|-----|
| 1 | Body | SS316 | 1 |
| 2 | Bonnet | SS316 | 5 |
| 3 | Gland Retainer | SS316 | 5 |
| 4 | Washer | SS316 | 5 |
| 5 | Packing | PTFE / Graphoil | 5 |
| 6 | Packing Washer | SS316 | 5 |
| 7 | Spindle | SS316 | 5 |
| 8 | Lock Nut | SS316 | 5 |
| 9 | Grub Screw | Steel | 5 |
| 10 | Handle | SS316 | 5 |
| 11 | Lock Pin | SS316 | 5 |
| 12 | Dust Cap | Plastic LD. | 5 |
| 13 | Washer | SS316 | 5 |
| 14 | Non Rotating Vee Tip | A564-630 | 5 |

Features / Benefits

- Forged One Piece Body Construction (No Welding):** For High Strength.
- Non Rotating Vee :**
 - (a) Rolled and plated stem threads for extra strength.
 - (b) Screwed bonnet with safety lock pin prevents accidental valve disassembly.
 - (c) Adjustable packing below threads.
- Safety Bonnet Lock:** Prevents accidental disassembly.
- Stem Thread Rolled & Hard Plated:** Provides additional strength & maximum service life.
- Mirror Finish Stem, Burnished to a 16RMS:** Extends packing life and smoothens stem operation.
- Adjustable Packing Below Stem Threads:** Prevents stem lubrication washout and isolates threads from process contamination.
- Safety Back Seating:** Provides secondary stem seal in full open position, prevents stem blowout.
- Stainless Steel Handle:** For hand actuation.
- Body to Bonnet Seal:** Metal to Metal constant compression, isoalted bonnet threads from system fluids and eliminates possible tensile.
- Dust Cap:** Prevents contamination washout out of bonnet assembly.

Pressure / Temperature Table



- 1. Teflon Packing
- 2. Graphoil Packing
- 3. SS316 Graphoil Packing

Pressure Rating

| Temp. | C.S. | S.S. | Orifice | Cv |
|--------|----------|----------|---------|----------|
| 77°F | 6000 psi | 6000 psi | 4.8 mm | 0.52 Max |
| 500°F | 4000 psi | 4000 psi | 4.8 mm | 0.52 Max |
| 1000°F | 1500 psi | 1500 psi | 4.8 mm | 0.52 Max |

Ordering Information

| | | | | |
|---|------------|-------------|----------------------|-------------------------------|
| ↓ | MD5 | Code | Body Material | |
| | | SS | SS316 | 0 Option |
| | | | Code | Process Connection |
| | | | 8 | ½" NPT(F) |
| | | | Code | Mounting Type |
| | | | R | Pipe to Pipe |
| | | | | |
| | MD5 | | | Complete Ordering Code |