

# 5-WAY MANIFOLD VALVE

## MD5-H – Flange to Flange Type

### Technical Data

- Designed two square flange directing mounting to D/P transmitter or D/P gauge.
- Consists of one equalizer valve, two block valve, and two vent holes (1/4"NPT female).
- Process connection hole center to center is 54mm.

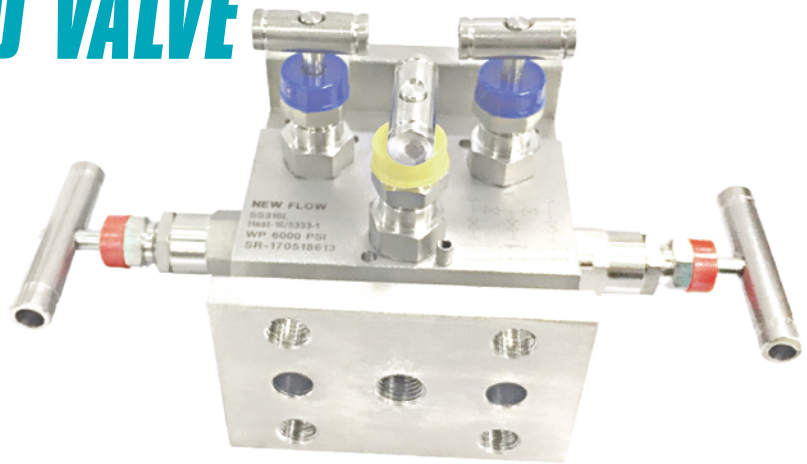
Body Material: SS316 (standard)

Valve Tip to Seat: Metal to Metal

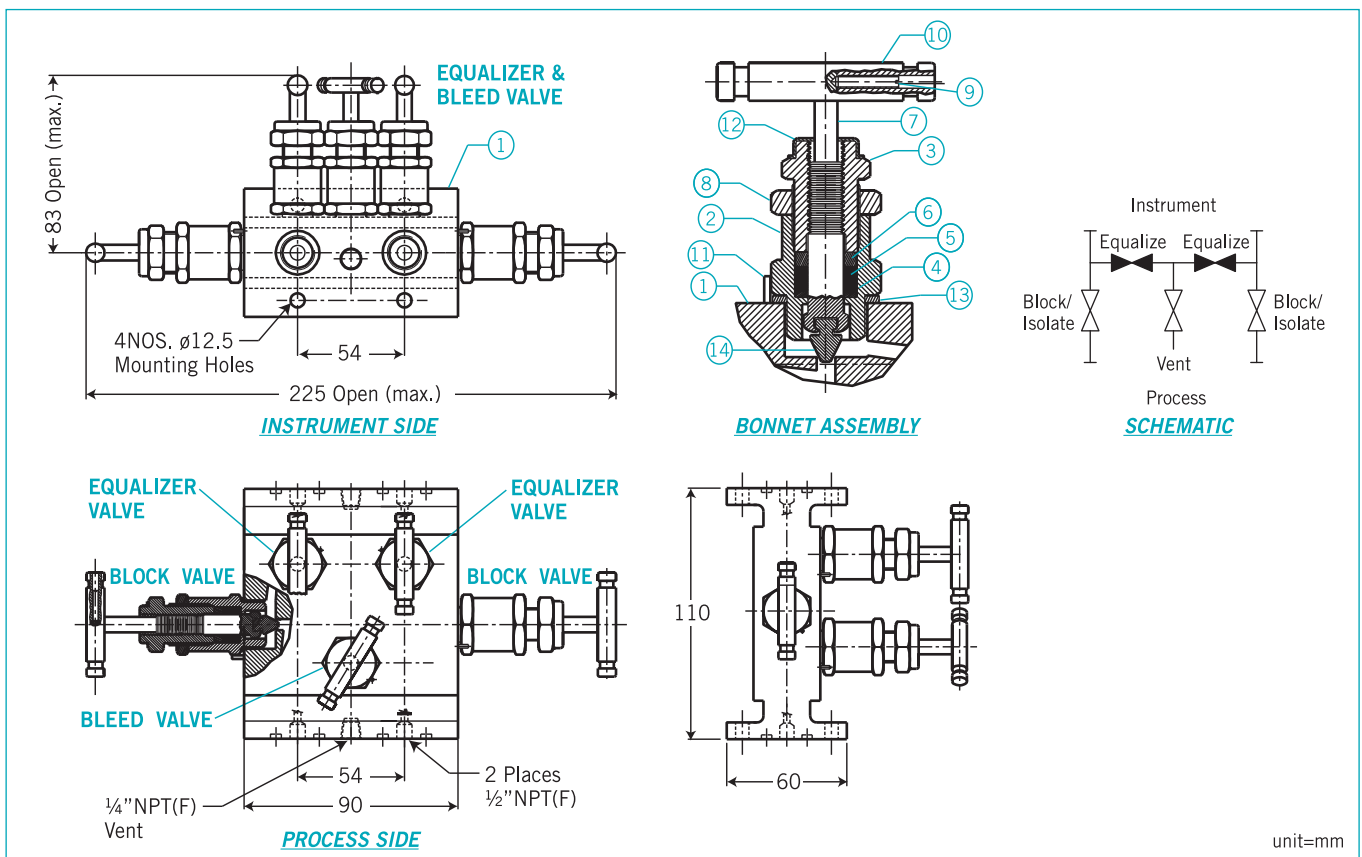
Process Connection: Square flange

Instrument Connection: Square flange

Working Pressure & Working Temperature: Please refer to the pressure/temperature table



### Dimensions



### Parts List

Item	Description	Material	Qty
1	Body	SS316	1
2	Bonnet	SS316	5
3	Gland Retainer	SS316	5
4	Washer	SS316	5
5	Packing	PTFE / Graphoil	5
6	Packing Washer	SS316	5
7	Spindle	SS316	5
8	Lock Nut	SS316	5
9	Grub Screw	Steel	5
10	Handle	SS316	5
11	Lock Pin	SS316	5
12	Dust Cap	Plastic LD.	5
13	Washer	SS316	5
14	Non Rotating Vee Tip	A564-630	5

### Features / Benefits

**Forged One Piece Body Construction (No Welding):** For High Strength.

**Non Rotating Vee :**

(a) Rolled and plated stem threads for extra strength.

(b) Screwed bonnet with safety lock pin prevents accidental valve disassembly.

(c) Adjustable packing below threads.

**Safety Bonnet Lock:** Prevents accidental disassembly.

**Stem Thread Rolled & Hard Plated:** Provides additional strength & maximum service life.

**Mirror Finish Stem, Burnished to a 16RMS:** Extends packing life and smoothens stem operation.

**Adjustable Packing Below Stem Threads:** Prevents stem lubrication washout and isolates threads from process contamination.

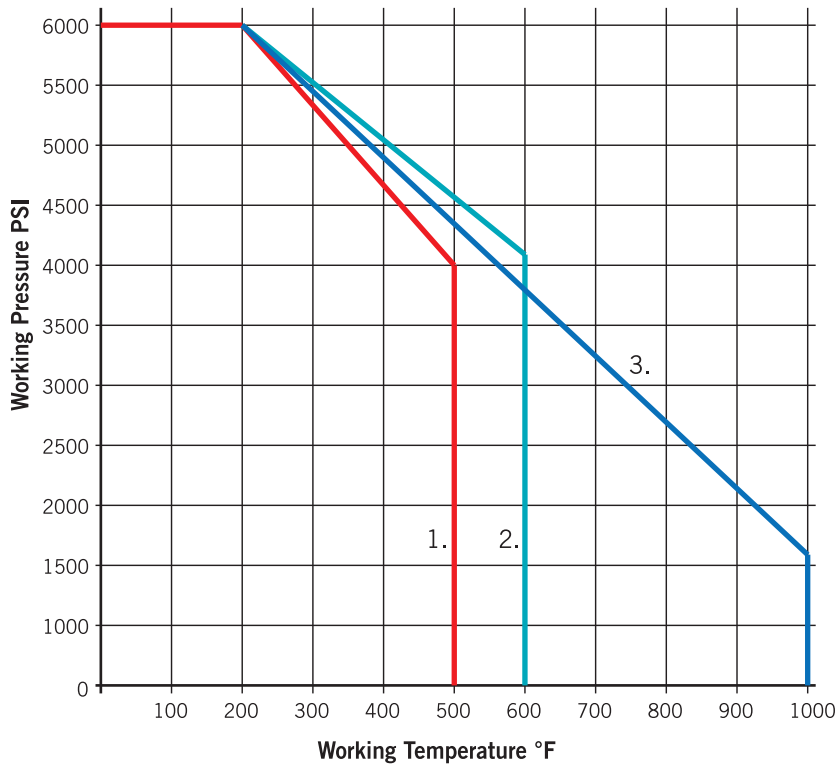
**Safety Back Seating:** Provides secondary stem seal in full open position, prevents stem blowout.

**Stainless Steel Handle:** For hand actuation.

**Body to Bonnet Seal:** Metal to Metal constant compression, isolated bonnet threads from system fluids and eliminates possible tensile.

**Dust Cap:** Prevents contamination washout out of bonnet assembly.

## Pressure / Temperature Table



- 1. Teflon Packing
- 2. Graphoil Packing
- 3. SS316 Graphoil Packing

### Pressure Rating

Temp.	C.S.	S.S.	Orifice	Cv
77°F	6000 psi	6000 psi	4.8 mm	0.52 Max
500°F	4000 psi	4000 psi	4.8 mm	0.52 Max
1000°F	1500 psi	1500 psi	4.8 mm	0.52 Max

## Ordering Information

↓	<b>MD5</b>	<b>Code</b>	<b>Body Material</b>	
		SS	SS316	0 Option
		<b>Code</b>	<b>Process Connection</b>	
		8	Square Flange	
		<b>Code</b>	<b>Mounting Type</b>	
		H	Flange to Flange	
	<b>MD5</b>			<b>Complete Ordering Code</b>