

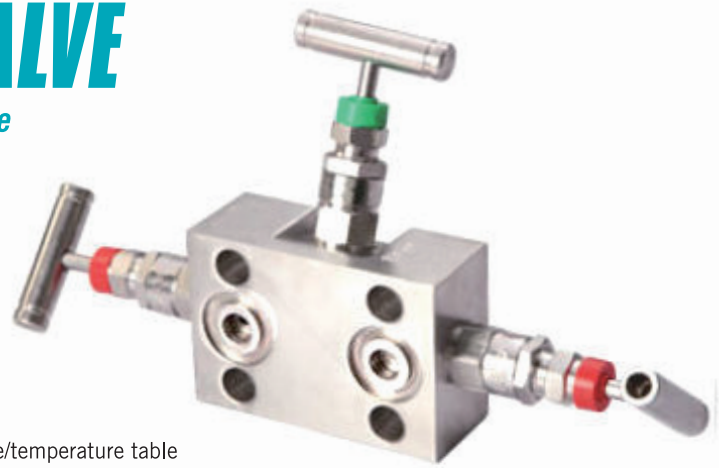
3-WAY MANIFOLD VALVE

MD3-DM-A – Pipe to Flange Mount Type
– Angle Style

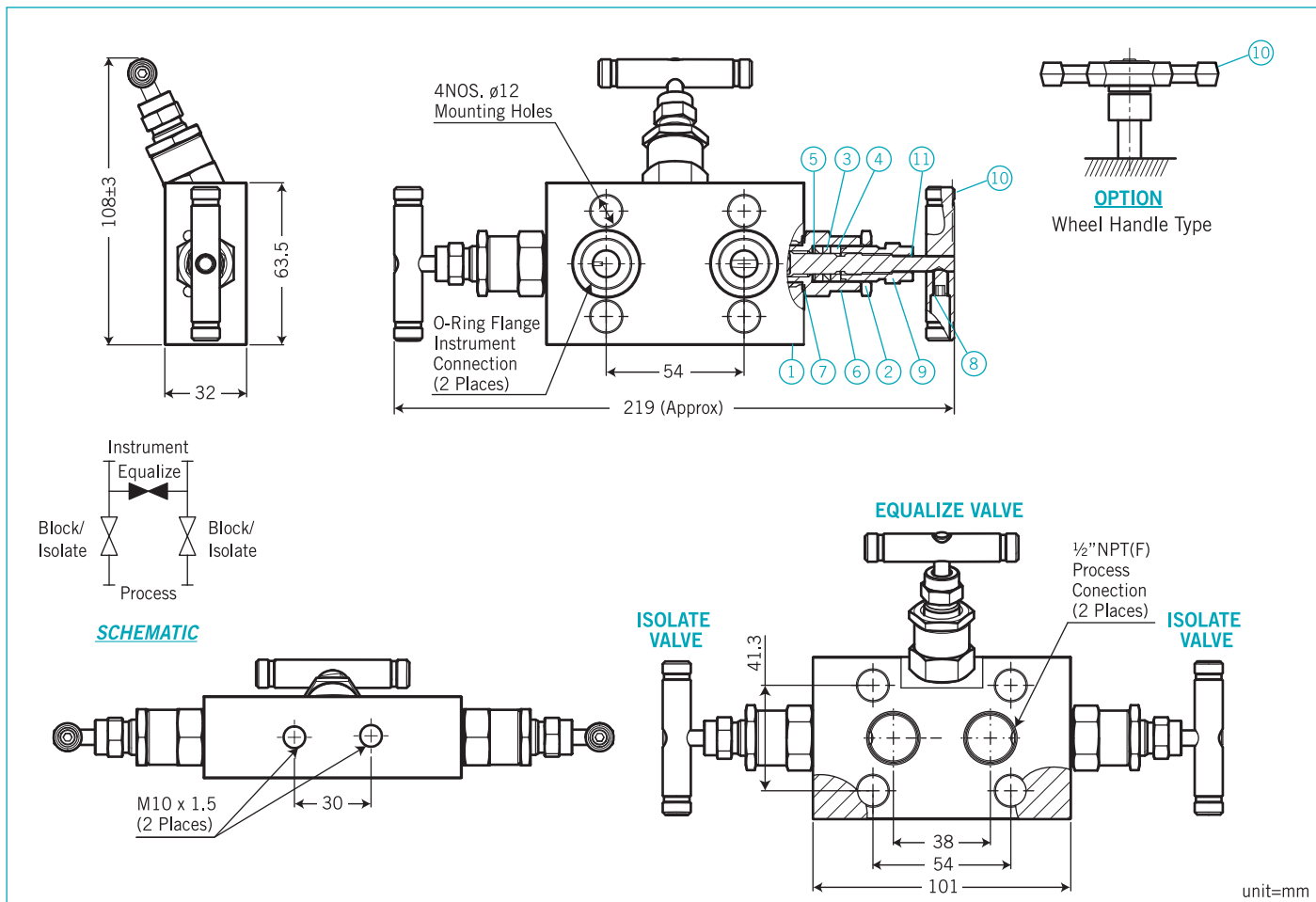
Technical Data

- Designed for D/P Transmitter Directing Mounting.
- Consists of one equalizer valve, two isolate valve.
- Process connection hole center to center is 54mm.

Body Material: SS316 (standard)
Valve Tip to Seat: Metal to Metal
Process Connection: ½”NPT Female
Instrument Connection: Plain Flange
Working Pressure & Working Temperature: Please refer to the pressure/temperature table



Dimensions



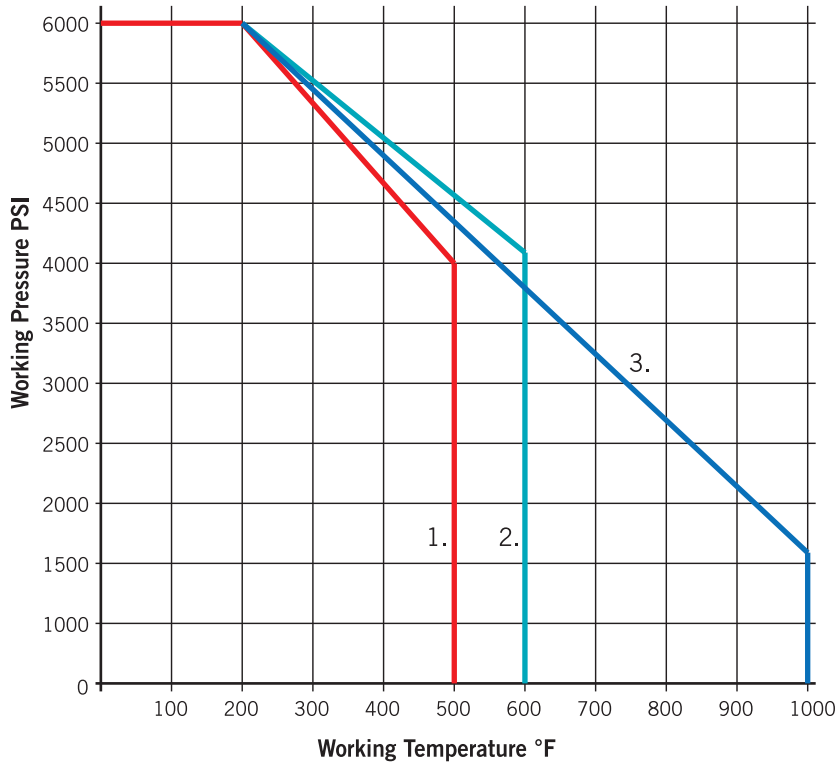
Parts List

Item	Description	Material	Qty
1	Body	SS316	1
2	Lock Nut	SS316	3
3	Packing	Teflon	6
4	Washer	SS316	3
5	Packing	Delrin	3
6	Gland Body	SS316	3
7	Washer	SS316	3
8	Grub Screw	SS	3
9	Retainer	SS316	3
10	Handle	SS	3
11	Spindle	SS316	3

Features / Benefits

- Forged One Piece Body Construction (No Welding):** For High Strength.
- Non Rotating Vee :**
 - (a) Rolled and plated stem threads for extra strength.
 - (b) Screwed bonnet with safety lock pin prevents accidental valve disassembly.
 - (c) Adjustable packing below threads.
- Safety Bonnet Lock:** Prevents accidental disassembly.
- Stem Thread Rolled & Hard Plated:** Provides additional strength & maximum service life.
- Mirror Finish Stem, Burnished to a 16RMS:** Extends packing life and smoothens stem operation.
- Adjustable Packing Below Stem Threads:** Prevents stem lubrication washout and isolates threads from process contamination.
- Safety Back Seating:** Provides secondary stem seal in full open position, prevents stem blowout.
- Stainless Steel Handle:** For hand actuation.
- Body to Bonnet Seal:** Metal to Metal constant compression, isolated bonnet threads from system fluids and eliminates possible tensile.
- Dust Cap:** Prevents contamination washout out of bonnet assembly.

Pressure / Temperature Table



- 1. Teflon Packing
- 2. Graphoil Packing
- 3. SS316 Graphoil Packing

Pressure Rating

Temp.	C.S.	S.S.	Orifice	Cv
77°F	6000 psi	6000 psi	4.8 mm	0.52 Max
500°F	4000 psi	4000 psi	4.8 mm	0.52 Max
1000°F	1500 psi	1500 psi	4.8 mm	0.52 Max

Ordering Information

MD3 ↓ ↓ ↓ ↓ ↓ ↓ ↓ ↓ ↓ ↓	Code	Body Material			
	SS	SS316	0	Option	
	Code	Process Connection			
	8	½" NPT(F)			
	Code	Mounting Type			
	DM	Pipe to Flange			
	Code	Style			
	A	Angle Style			
	Code	Handle Type			
	F	Flat Handle Type			
W	Wheel Handle Type				
MD3					Complete Ordering Code