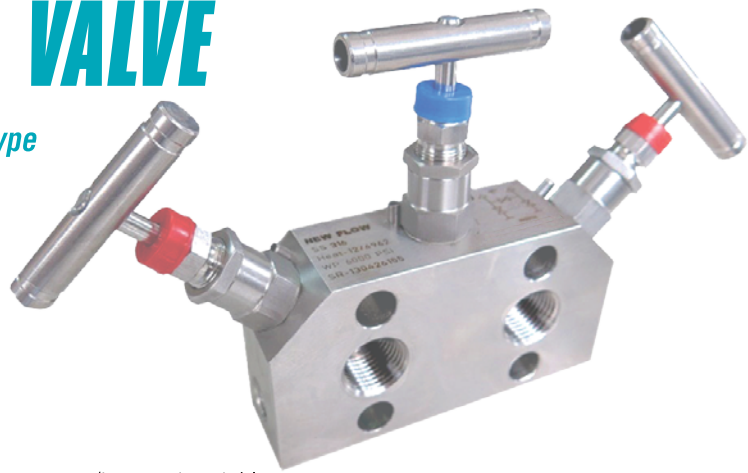


3-WAY MANIFOLD VALVE

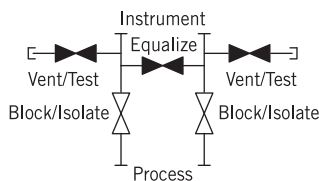
MD3-DM – Pipe to Flange Mount Type

Technical Data

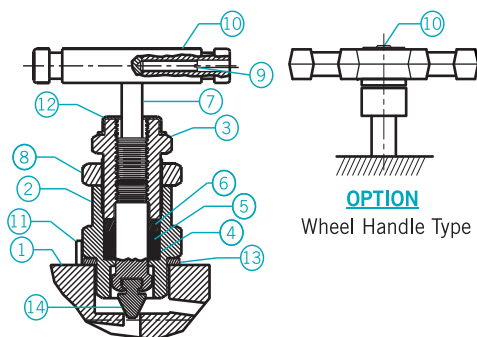
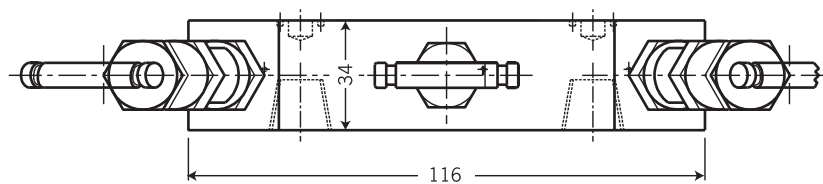
- Designed for D/P Transmitter Directing Mounting.
- Consists of one equalizer valve, two block valve, and two vent holes (1/4" NPT female).
- Process connection hole center to center is 54mm.
- **Body Material:** SS316 (standard)
- **Valve Tip to Seat:** Metal to Metal
- **Process Connection:** 1/2" NPT Female
- **Instrument Connection:** Plain Flange
- **Working Pressure & Working Temperature:** Please refer to the pressure/temperature table



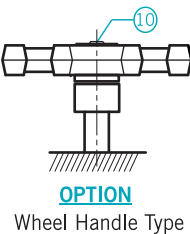
Dimensions



SCHEMATIC

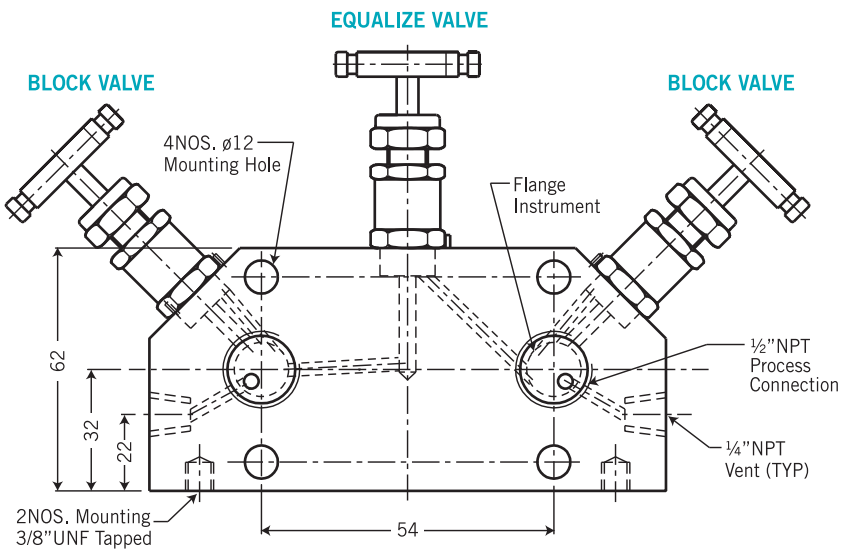


BONNET ASSEMBLY



OPTION

Wheel Handle Type



unit=mm

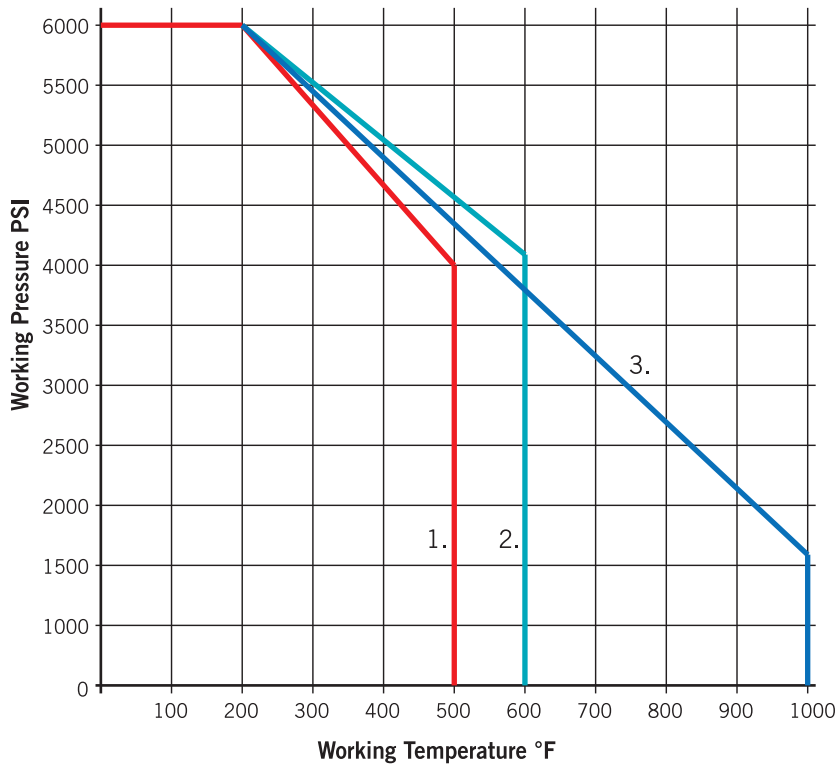
Parts List

Item	Description	Material	Qty
1	Body	SS316	1
2	Bonnet	SS316	2
3	Gland Retainer	SS316	2
4	Washer	SS316	2
5	Packing	PTFE / Graphoil	2
6	Packing Washer	SS316	2
7	Spindle	SS316	2
8	Lock Nut	SS316	2
9	Grub Screw	Steel	2
10	Handle	SS316	2
11	Lock Pin	SS316	2
12	Dust Cap	Plastic LD.	2
13	Washer	SS316	2
14	Non Rotating Vee Tip	17-4 PH (A564-630)	1

Features / Benefits

- Forged One Piece Body Construction (No Welding):** For High Strength.
- Non Rotating Vee :**
 - (a) Rolled and plated stem threads for extra strength.
 - (b) Screwed bonnet with safety lock pin prevents accidental valve disassembly.
 - (c) Adjustable packing below threads.
- Safety Bonnet Lock:** Prevents accidental disassembly.
- Stem Thread Rolled & Hard Plated:** Provides additional strength & maximum service life.
- Mirror Finish Stem, Burnished to a 16RMS:** Extends packing life and smoothens stem operation.
- Adjustable Packing Below Stem Threads:** Prevents stem lubrication washout and isolates threads from process contamination.
- Safety Back Seating:** Provides secondary stem seal in full open position, prevents stem blowout.
- Stainless Steel Handle:** For hand actuation.
- Body to Bonnet Seal:** Metal to Metal constant compression, isolated bonnet threads from system fluids and eliminates possible tensile.
- Dust Cap:** Prevents contamination washout out of bonnet assembly.

Pressure / Temperature Table



- 1. Teflon Packing
- 2. Graphoil Packing
- 3. SS316 Graphoil Packing

Pressure Rating

Temp.	C.S.	S.S.	Orifice	Cv
77°F	6000 psi	6000 psi	4.8 mm	0.52 Max
500°F	4000 psi	4000 psi	4.8 mm	0.52 Max
1000°F	1500 psi	1500 psi	4.8 mm	0.52 Max

Ordering Information

MD3 ↓ ↓ ↓ ↓ ↓ ↓	Code	Body Material		
	SS	SS316	0	Option
	Code	Process Connection		
	8	½"NPT(F)		
	Code	Mounting Type		
	DM	Pipe to Flange		
Code	Handle Type			
F	Flat Handle Type	W	Wheel Handle Type	
MD3				Complete Ordering Code