

2-WAY MANIFOLD VALVE

MD2-T – Pipe to Square Flange Type

Technical Data

Body Material: SS316 (standard)

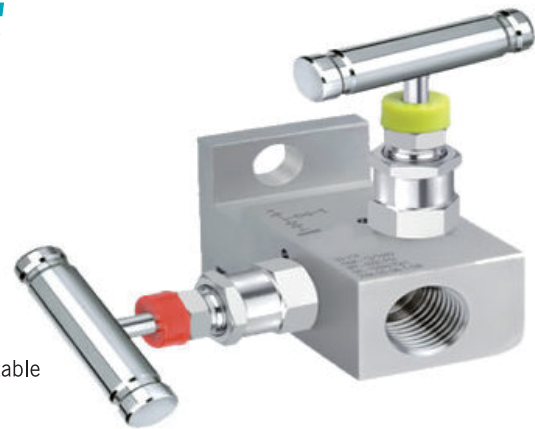
Valve Tip to Seat: Metal to Metal

Process Connection: ½" NPT Female

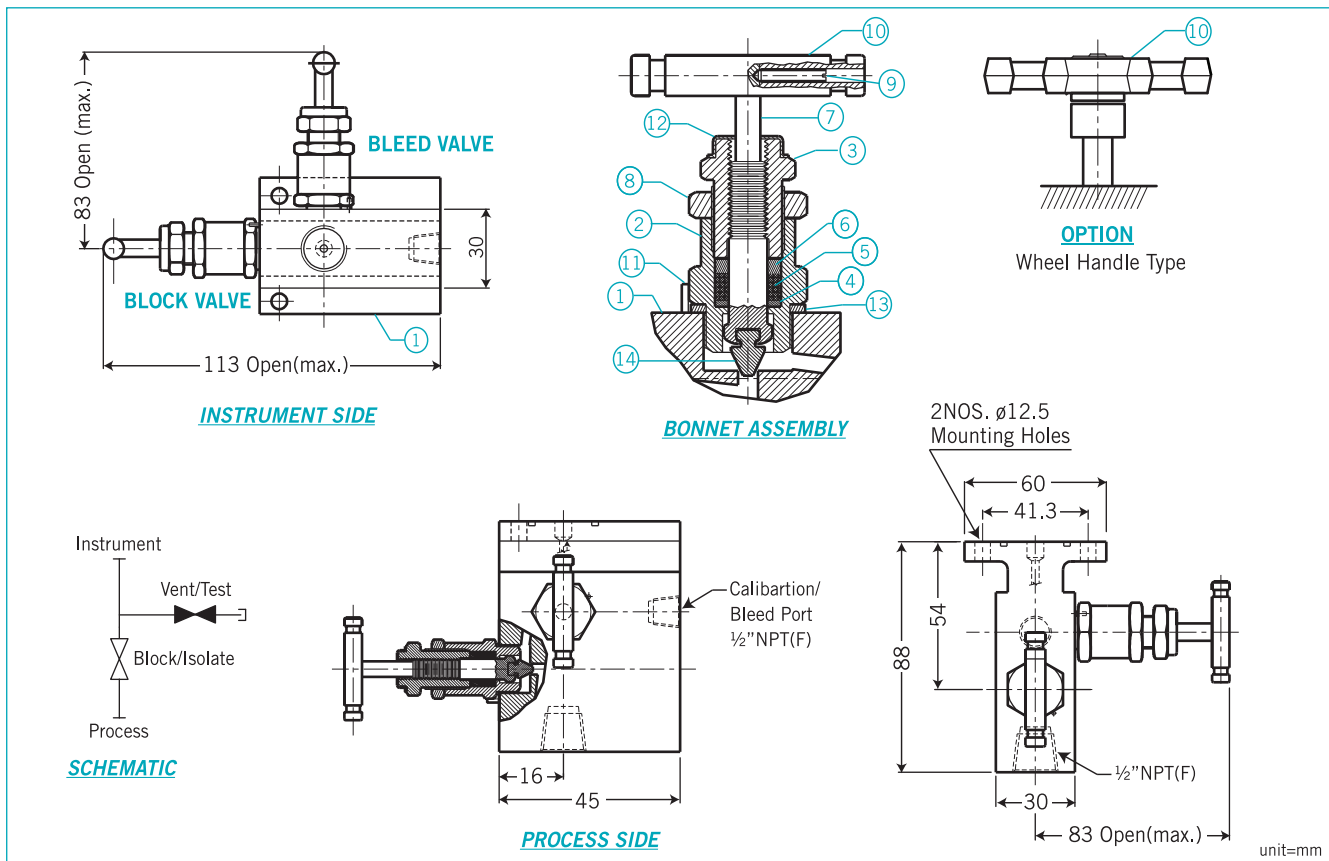
Instrument Connection: Square flange

Working Pressure & Working Temperature: Please refer to the pressure/temperature table

- MD2-T pipe to flange design for separate mounting.
- Consists of one bleed valve and one block valve.
- Allows for easy block, bleed and calibration of static pressure transmitter or gauge.



Dimensions



Parts List

Item	Descriptor	Material	Qty
1	Body	SS316	1
2	Bonnet	SS316	2
3	Gland Retainer	SS316	2
4	Washer	SS316	2
5	Packing	PTFE / Graphoil	2
6	Packing Washer	SS316	2
7	Spindle	SS316	2
8	Lock Nut	SS316	2
9	Grub Screw	Steel	2
10	Handle	SS316	2
11	Lock Pin	SS316	2
12	Dust Cap	Plastic LD.	2
13	Washer	SS316	2
14	Non Rotating Vee Tip	17-4 PH	2

Features / Benefits

Forged One Piece Body Construction (No Welding): For High Strength.

Non Rotating Vee :

- (a) Rolled and plated stem threads for extra strength.
- (b) Screwed bonnet with safety lock pin prevents accidental valve disassembly.
- (c) Adjustable packing below threads.

Safety Bonnet Lock: Prevents accidental disassembly.

Stem Thread Rolled & Hard Plated: Provides additional strength & maximum service life.

Mirror Finish Stem, Burnished to a 16RMS: Extends packing life and smoothens stem operation.

Adjustable Packing Below Stem Threads: Prevents stem lubrication washout and isolates threads from process contamination.

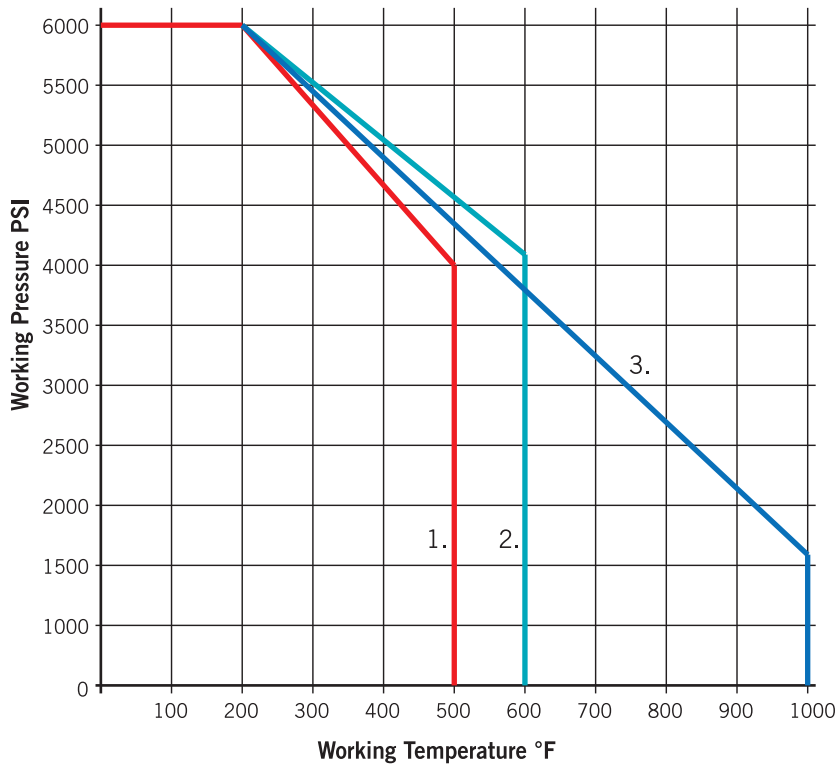
Safety Back Seating: Provides secondary stem seal in full open position, prevents stem blowout.

Stainless Steel Handle: For hand actuation.

Body to Bonnet Seal: Metal to Metal constant compression, isolated bonnet threads from system fluids and eliminates possible tensile.

Dust Cap: Prevents contamination washout out of bonnet assembly.

Pressure / Temperature Table



- 1. Teflon Packing
- 2. Graphoil Packing
- 3. SS316 Graphoil Packing

Pressure Rating

Temp.	C.S.	S.S.	Orifice	Cv
77°F	6000 psi	6000 psi	4.8 mm	0.52 Max
500°F	4000 psi	4000 psi	4.8 mm	0.52 Max
1000°F	1500 psi	1500 psi	4.8 mm	0.52 Max

WWW.NEW-FLOW.COM • TEL: 886-7-813500 • FAX: 886-7-8225588 • Email: info@new-flow.com

Ordering Information

MD2 ↓ ↓ ↓ ↓ ↓	Code	Body Material		
	SS	SS316	0	Option
	Code	Process Connection		
	8	½"NPT(F)		
	Code	Mounting Type		
	T	Pipe to Square Flange		
Code	Handle Type			
F	Flat Handle Type	W	Wheel Handle Type	
MD2				Complete Ordering Code