

# 2-WAY MANIFOLD VALVE

## MD2-H – Flange to Flange Type

### Technical Data

**Body Material:** SS316 (standard)

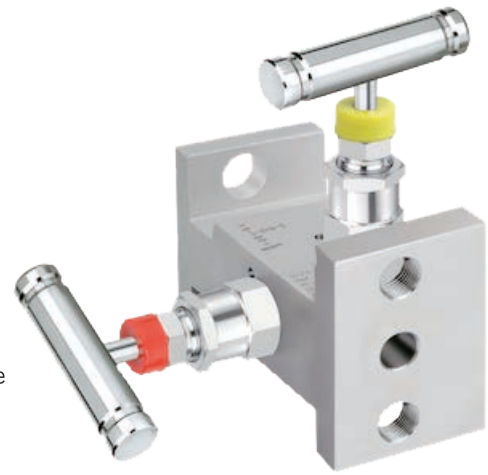
**Valve Tip to Seat:** Metal to Metal

**Process Connection:** Square flange

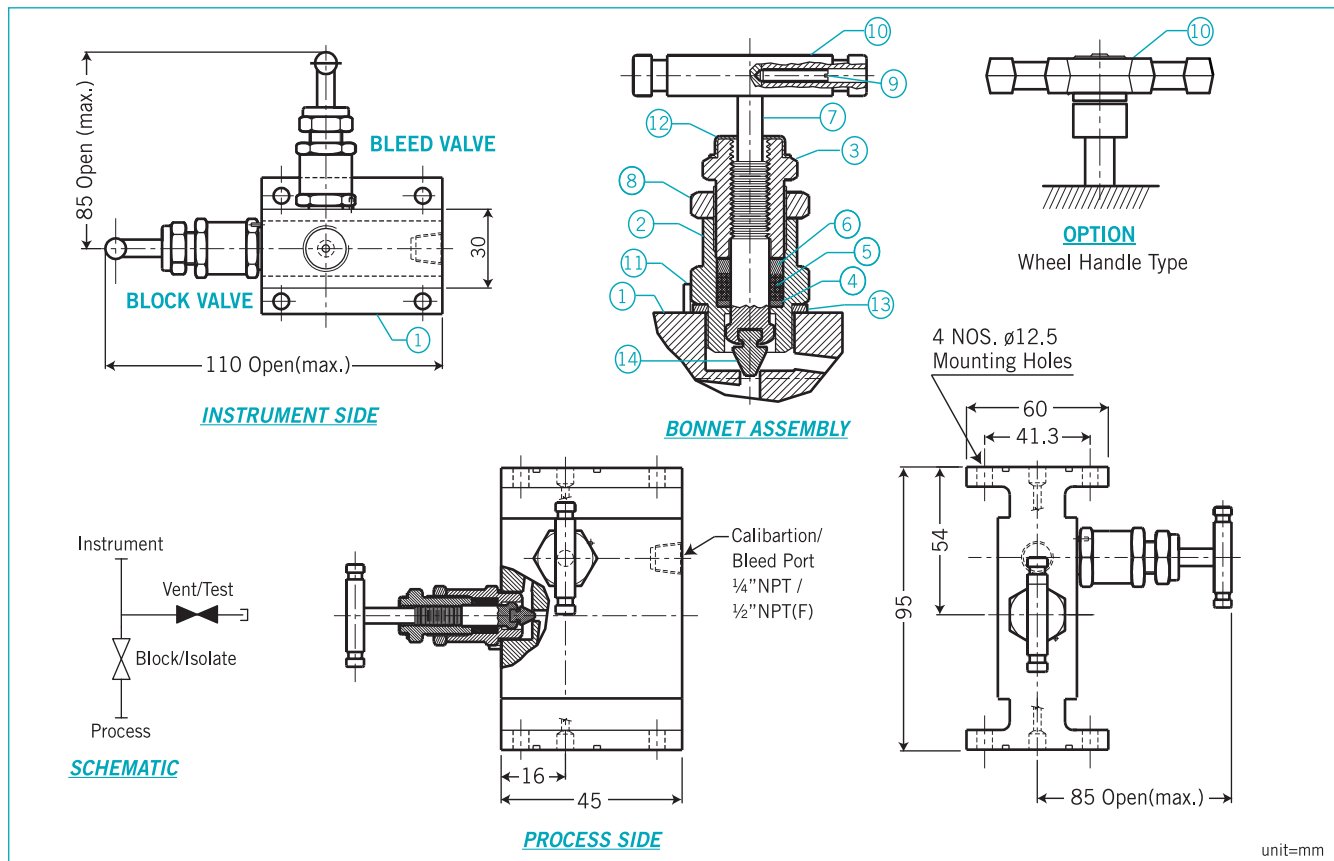
**Instrument Connection:** Square flange

**Working Pressure & Working Temperature:** Please refer to the pressure/temperature table

- MD2-H flange to flange design for separate mounting.
- Consists of one bleed valve and one block valve.
- Allows for easy block, bleed and calibration of static pressure transmitter or gauge.



### Dimensions



### Parts List

Item	Descriptor	Material	Qty
1	Body	SS316	1
2	Bonnet	SS316	2
3	Gland Retainer	SS316	2
4	Washer	SS316	2
5	Packing	PTFE / Graphoil	2
6	Packing Washer	SS316	2
7	Spindle	SS316	2
8	Lock Nut	SS316	2
9	Grub Screw	Steel	2
10	Handle	SS316	2
11	Lock Pin	SS316	2
12	Dust Cap	Plastic LD.	2
13	Washer	SS316	2
14	Non Rotating Vee Tip	A564-630	2

### Features / Benefits

**Forged One Piece Body Construction (No Welding):** For High Strength.

**Non Rotating Vee :**

- (a) Rolled and plated stem threads for extra strength.
- (b) Screwed bonnet with safety lock pin prevents accidental valve disassembly.
- (c) Adjustable packing below threads.

**Safety Bonnet Lock:** Prevents accidental disassembly.

**Stem Thread Rolled & Hard Plated:** Provides additional strength & maximum service life.

**Mirror Finish Stem, Burnished to a 16RMS:** Extends packing life and smoothens stem operation.

**Adjustable Packing Below Stem Threads:** Prevents stem lubrication washout and isolates threads from process contamination.

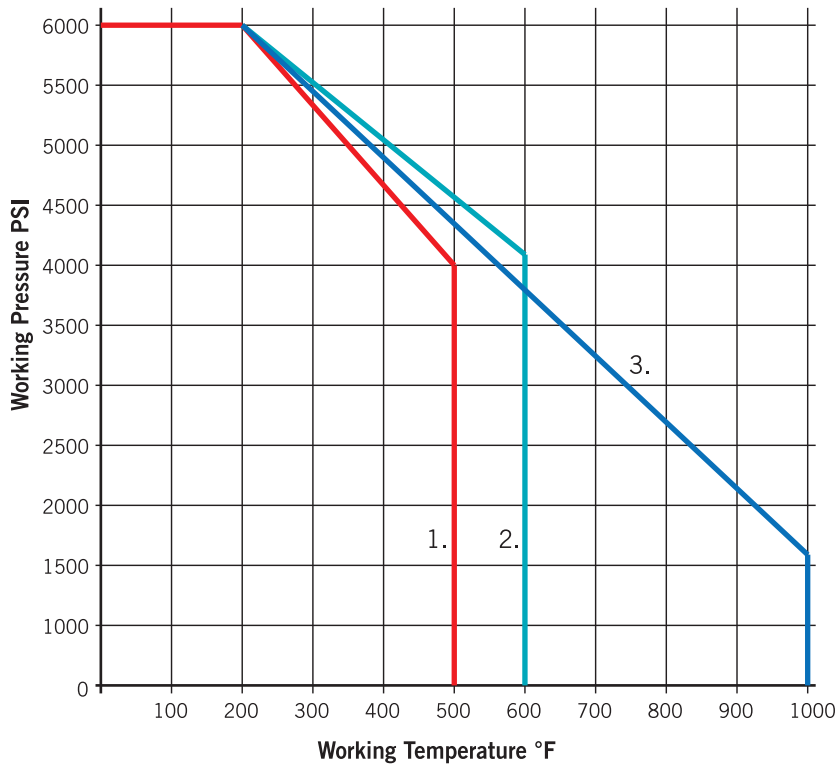
**Safety Back Seating:** Provides secondary stem seal in full open position, prevents stem blowout.

**Stainless Steel Handle:** For hand actuation.

**Body to Bonnet Seal:** Metal to Metal constant compression, isolated bonnet threads from system fluids and eliminates possible tensile.

**Dust Cap:** Prevents contamination washout out of bonnet assembly.

## Pressure / Temperature Table



- 1. Teflon Packing
- 2. Graphoil Packing
- 3. SS316 Graphoil Packing

### Pressure Rating

Temp.	C.S.	S.S.	Orifice	Cv
77°F	6000 psi	6000 psi	4.8 mm	0.52 Max
500°F	4000 psi	4000 psi	4.8 mm	0.52 Max
1000°F	1500 psi	1500 psi	4.8 mm	0.52 Max

## Ordering Information

MD2 ↓ ↓ ↓ ↓ ↓ ↓	<b>Code</b>	<b>Body Material</b>		
	SS	SS316	0	Option
	<b>Code</b>	<b>Process Connection</b>		
	8	Square Flange		
	<b>Code</b>	<b>Mounting Type</b>		
	H	Flange to Flange		
<b>Code</b>	<b>Handle Type</b>			
F	Flat Handle Type	W	Wheel Handle Type	
<b>MD2</b>				<b>Complete Ordering Code</b>