

# HORIZONTAL MAGNETIC LEVEL SWITCH

## LXT203S Thread Type For High Temperature

LXT203S float-operated level switches are suitable for controlling liquid level at horizontal mounting. The float equipped with an extended arm moves a couple magnetic mechanism to actuate a microswitch to offer an ON-OFF contact for application. LXT203S is equipped with an extra fin to be able to work under high temperature environment.

### Technical Data

**Enclosure housing:** Explosion proof— EEx d IIC-T6, II 2 GD; IP66

**Process connection:** 1½"~3"NPT male, thread type

**Material:** Wetted parts 316 stainless steel

**Temperature limits:** -20°C to +200°C or -20°C to +350°C

**Pressure limits:** 3.0 MPa (30 kg/cm<sup>2</sup>), option: up to 4.5 MPa

**Float working specific gravity:** ≥0.7

(option: less than 0.7 available on request)

**Switch function:** SPDT Micro switch

**Switch rating:** 3A/250VAC, 5A/125VAC, 4A/30VDC

**Conduit connection:** ½"NPT, ¾"NPT female, option available



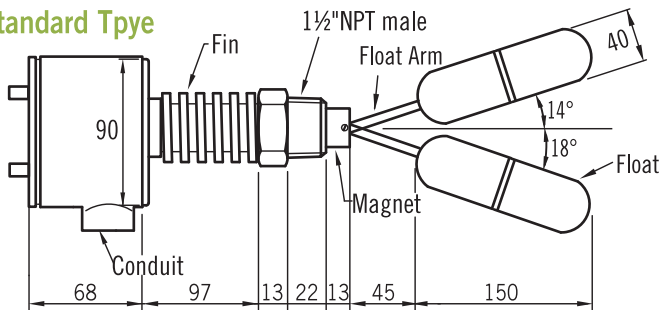
### Approvals:



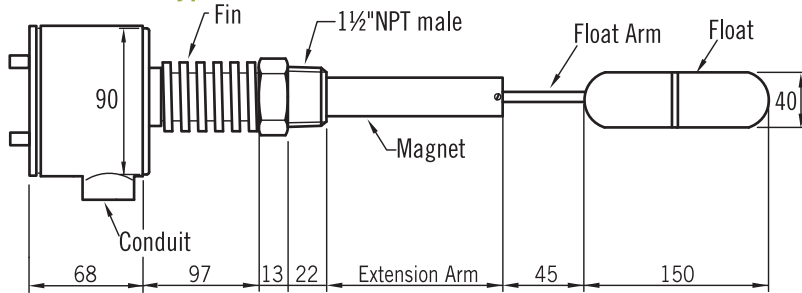
Switches with UL & CSA Recognized and File No. E41515.

### Dimensions

#### Standard Type



#### Extension Arm Type



\*Option: Extension arm specify length available (standard 150mm).

unit=mm

### Wire Drawing



1 SPDT

### Ordering Information

LXT203S	Code	Type				
	S	Standard type	E	Extension Arm Type		
		<b>Code</b>	<b>Process Connection Size</b>			
			(1) 1½" (2) 2" (3) 3" (4) Option			
		<b>Code</b>	<b>Process Connection Rating - Male</b>			
			(A) NPT (B) Option			
		<b>Code</b>	<b>Conduit Connection Size</b>			
			(1) ½"NPT (2) ¾"NPT (3) Option			
		<b>Code</b>	<b>Wetted Parts Material</b>			
			(1) SS316 (2) Option			
		<b>Code</b>	<b>Max. Temperature Limit</b>			
			(A) -20°C to +200°C (B) -20°C to +350°C			
LXT203S						Complete Ordering Code