

HORIZONTAL MAGNETIC LEVEL SWITCH

LXT203F Flange Type For High Temperature

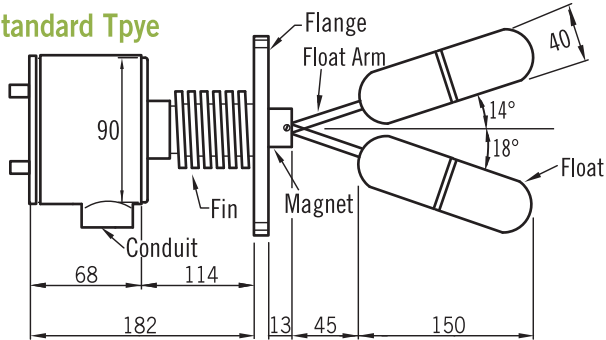
LXT203F float-operated level switches are suitable for controlling liquid level at horizontal mounting. The float equipped with an extended arm moves a couple magnetic mechanism to actuate a microswitch to offer an ON-OFF contact for application. LXT203F is equipped with an extra fin to be able to work under high temperature environment.

Technical Data

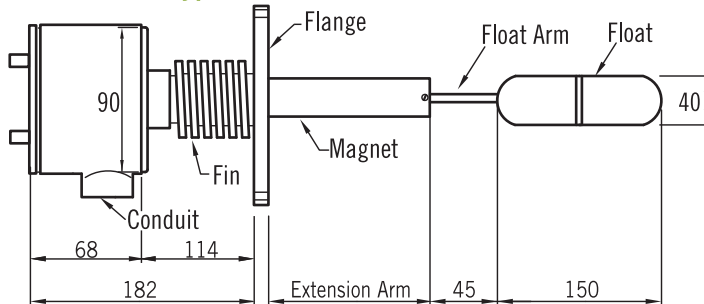
- Enclosure housing:** Explosion proof— EEx d IIC-T6, II 2 GD; IP66
- Process connection:** 1½"~4" Flange type
- Flange rating:** JIS, ANSI, DIN available
- Material:** Wetted parts 316 stainless steel
- Temperature limits:** -20°C to +200°C or -20°C to +350°C
- Pressure limits:** 3.0 MPa (30 kg/cm²), option: up to 4.5 MPa
- Float working specific gravity:** ≥0.7
(option: less than 0.7 available on request)
- Switch function:** SPDT Micro switch
- Switch rating:** 3A/250VAC, 5A/125VAC, 4A/30VDC
- Conduit connection:** ½"NPT, ¾"NPT female, option available

Dimensions

Standard Type



Extension Arm Type



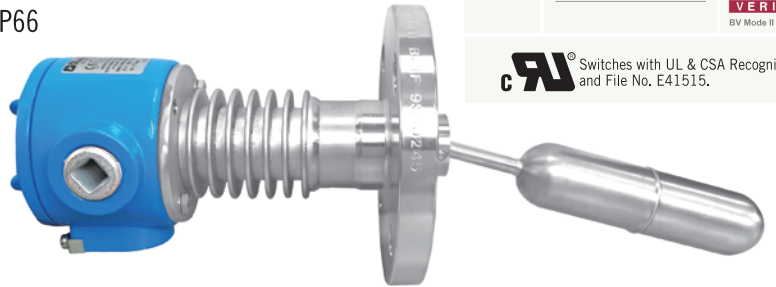
*Option: Extension arm specify length available (standard 150mm).

unit=mm

Approvals:



UL® Switches with UL & CSA Recognized and File No. E41515.



Wire Drawing



1 SPDT

Ordering Information

LXT203F	Code	Type
	S	Standard type
	E	Extension Arm Type
	Code	Process Connection Size
		(1) 1½" (2) 2" (3) 3" (4) 4" (5) Option
	Code	Process Connection Rating
		(A) JIS 10K (B) JIS 20K (C) ANSI 150# (D) ANSI 300# (E) PN16 (F) PN25 (G) option
	Code	Conduit Connection Size
		(1) ½"NPT (2) ¾"NPT (3) Option
	Code	Flange Material
		(1) SS316 (2) SS304 (3) Option
	Code	Max. Temperature Limit
		(A) -20°C to +200°C (B) -20°C to +350°C
LXT203F		Complete Ordering Code