

HORIZONTAL MAGNETIC LEVEL SWITCH

LT202 Flange Type – SQUARE FLANGE – FOR HIGH TEMPERATURE AVAILABLE

LT202 float-operated level switches are suitable for controlling liquid level at horizontal mounting. The float equipped with an extended arm moves a couple magnetic mechanism to actuate a microswitch to offer an ON-OFF contact for application. LT202 is available equipped with an extra fin to be able to work under high temperature environment.

Technical Data

Enclosure Housing: Weather proof IP65

Material: Wetted parts SS316 or SS304

Temperature Limits: Standard: -20°C to +150°C;
With fin for high temperature: -20°C to +200°C and
-20°C to +350°C available

Pressure Limits:

Without Test Device: 3.0 MPa (30 kg/cm²), option: up to 4.5 MPa;
With Test Device: 6 kg/cm²

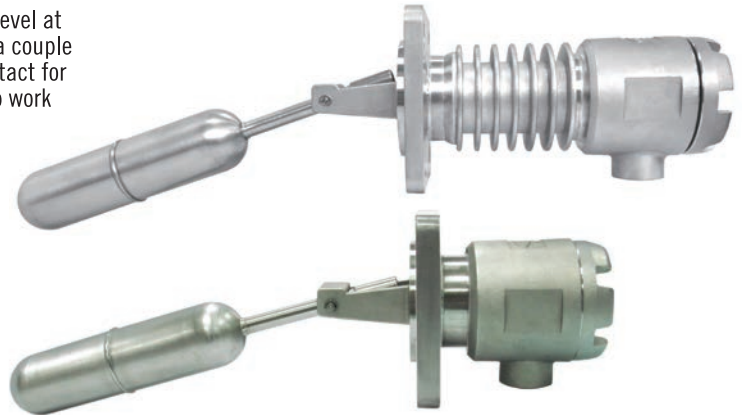
Switch Function: Micro switch 1 x SPDT; 2 x SPDT option

Switch Rating: 3A/250VAC, 5A/125VAC, 4A/30VDC

Conduit Connection: ½" NPT female, option

Float Working Specific Gravity: ≥0.7

(option: less than 0.7 available on request)



Patent No.

M334951

Approvals:

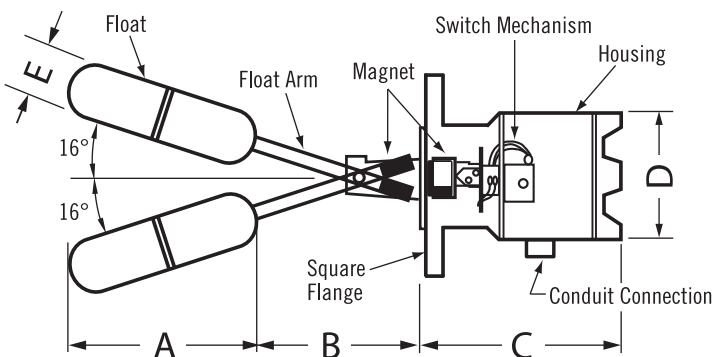


Switches with UL & CSA Recognized and File No. E41515.

Dimensions-mm

•Standard Type•

Temperature Limits: -20°C~+150°C only

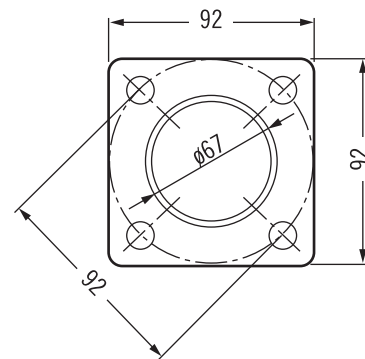


| A | B | C | D | E |
|-----|----|-------------|----|----|
| 150 | 92 | 100 Approx. | 64 | 40 |

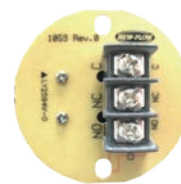
NOTE.

1. Special dimensions on request.
2. Extension length for B is available.

SQUARE FLANGE



WIRE DRAWING

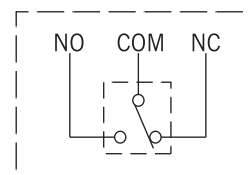


1 SPDT



2 SPDT

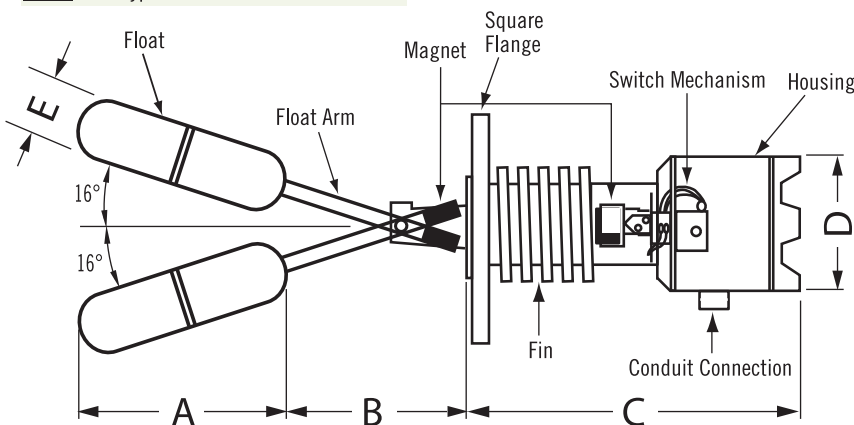
OPERATING SIGNAL



•With Fin for High Temperature•

Temperature Limits: optional -20°C~+200°C and -20°C~+350°C available

NOTE.: This type CANNOT add the test device.



| A | B | C | D | E |
|-----|----|-------------|----|----|
| 150 | 92 | 170 Approx. | 64 | 40 |

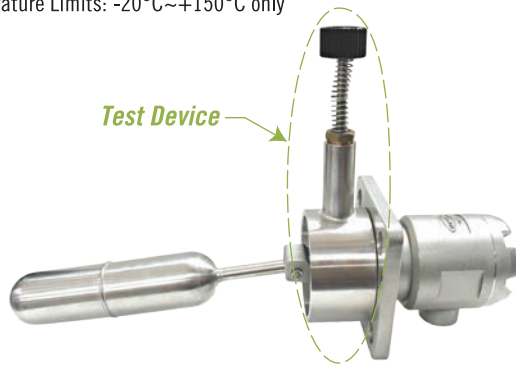
NOTE.

1. Special dimensions on request.
2. Extension length for B is available.

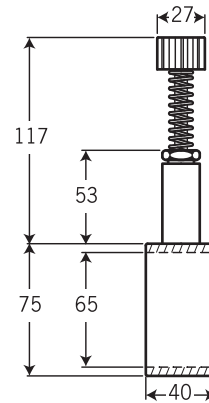
Added Test Device Accessories unit=mm (Tolerance: ±1.0mm)

•Test Device Type•

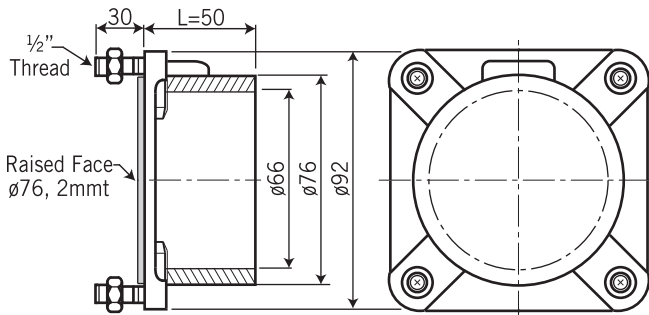
Temperature Limits: -20°C~+150°C only



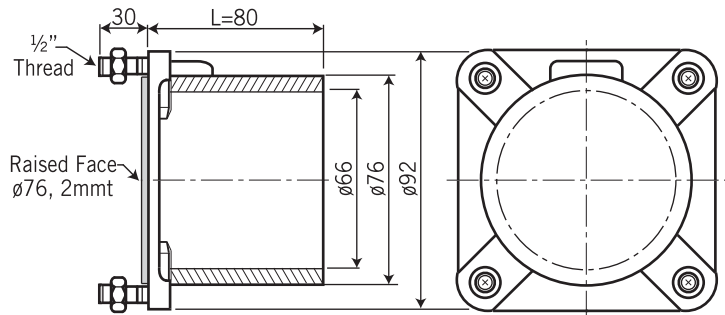
(A) Pipe With Standard Test Device



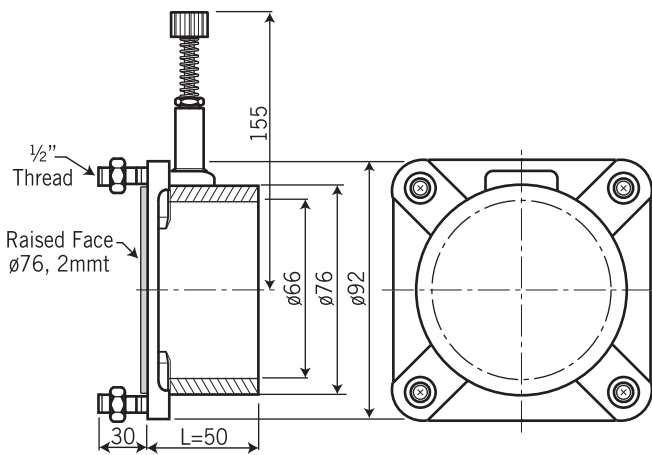
(B) Added Flange Device



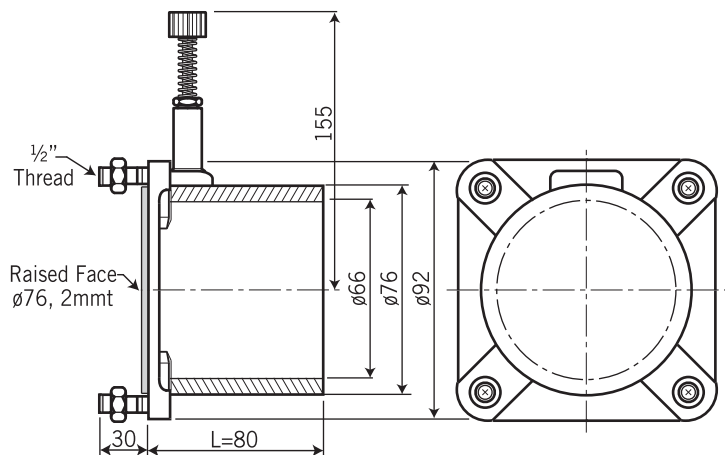
(C) Added Flange Device



(D) Added Flange with Test Device



(E) Added Flange with Test Device



Ordering Information

| | | | | | | | | |
|-------|--|--|---|----------------------|---|-----------------------------------|-------------------------------|---------------------|
| LT202 | Code | Type | | | | | | |
| | S | Standard type without test device | T | With Test Device | F | With Fin (CANNOT add test device) | | |
| | Code | Square Flange Material | | | | | | |
| | | (1) SS316 (2) option | | | | | | |
| | Code | Switch Function- Micro Switch | | | | | | |
| | 1 | One switch, SPDT x 1 | 2 | Two switch, SPDT x 2 | | | | |
| | Code | Added Device Accessories | | | | | | |
| | | A | B | C | D | E | O | Without test device |
| | Code | Max. Temperature Limit | | | | | | |
| | A | -20°C to +150°C [for LT202-S (standard type) and LT202-T (with test device)] | | | | | | |
| B | -20°C to +200°C [for LT202-F (with fin) only] (CANNOT add test device) | | | | | | | |
| C | -20°C to +350°C [for LT202-F (with fin) only] (CANNOT add test device) | | | | | | | |
| LT202 | | | | | | | Complete Ordering Code | |