

# HORIZONTAL MAGNETIC LEVEL SWITCH

## LT201S Thread Type

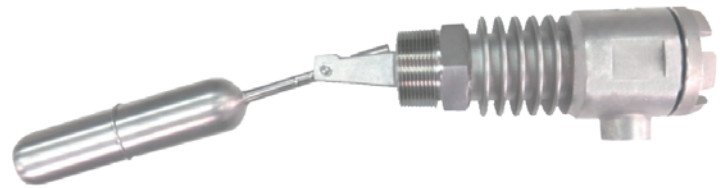
LT201S float-operated level switches are suitable for controlling liquid level at horizontal mounting. The float equipped with an extended arm moves a couple magnetic mechanism to actuate a microswitch to offer an ON-OFF contact for application. LT201S is equipped with an extra fin to be able to work under high temperature environment.

**Approvals:**

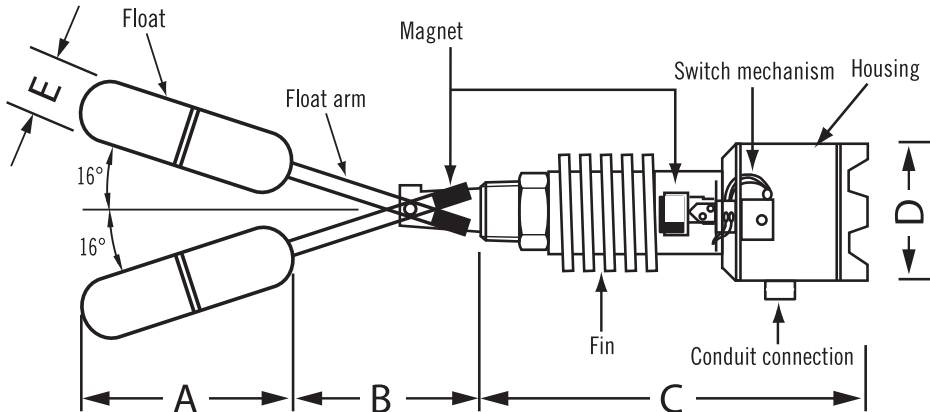


**Technical Data**

- Enclosure housing:** Weather proof IP65
- Process connection:** 1½" Thread type
- Material:** Wetted parts 316 stainless steel
- Temperature limits:** -20°C to +200°C or -20°C to +350°C
- Pressure limits:** 3.0 MPa (30 kg/cm<sup>2</sup>), option: up to 4.5 MPa
- Switch function:** 1 x SPDT; 2 x SPDT Micro switch available
- Switch rating:** 3A/250VAC, 5A/125VAC, 4A/30VDC,
- Conduit connection:** ½"NPT female, option
- Float working specific gravity:** ≥0.7 (option: less than 0.7 available on request)



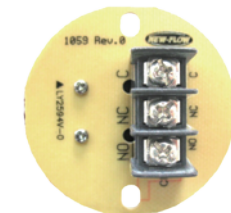
**Dimensions**



	A	B	C	D	E
mm	150	92	170 Approx.	64	40

**NOTE.**  
 1. Special dimensions on request.  
 2. Extension length for B is available.

**Wire Drawing**



1 SPDT



2 SPDT

**Ordering Information**

LT201S	Code	Process Connection Size
		(1) 1½" NPT male (2) Option
		<b>Code</b> <b>Max. Temperature Limit</b>
		(A) -20°C to +200°C (B) -20°C to +350°C
		<b>Code</b> <b>Conduit Connection Size</b>
		(1) ½" NPT female (2) Option
		<b>Code</b> <b>Wetted Parts Material</b>
		(1) SS316
		<b>Code</b> <b>Switch Function-Micro Switch</b>
	1	One switch, SPDT x 1
	2	Two switch, SPDT x 2
LT201S		

**Complete Ordering Code**