

CABLE FLOAT LEVEL SWITCH LQ SERIES

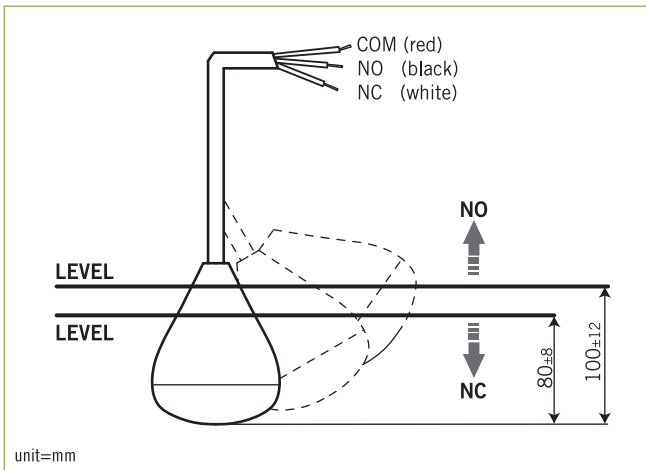
Technical Data

High Corrosive Liquid Useable
Set Point adjustable (max. set point 7)
Multiple Level Set Point available
Float Enclosure Class: IP68
Material: Housing- Aluminum alloy with paint, PP, and option available;
 Float- ABS or PP; Cable- PVC or Hypalon; Flange- PVC, PP and option available;
 Weight- PVC
Float Size: $\phi 80 \times 110\text{mm}$
Housing Conduit Size: $\frac{3}{4}$ "NPT(F); option available
Flange Size: : 4" (for LQ-01~LQ-05); 6" (for LQ-06~LQ-07); option available
Cable Length: Standard 6M; option available (max. length 25M)
Working Pressure Limited: maximum 2.5 kg/cm²
Working Temperature Limited: -10°C ~ +50°C
Working Sp. Gr.: ≥ 0.9
Switch Mode: SPDT mode
Switch Rating: 5A/125VAC, 3A/250VAC, 5A/8V & 14VDC, 4A/30VDC, 0.4A/125VDC

Approvals:	Patent No.
CE	M408686



Acting Gap in Fluid

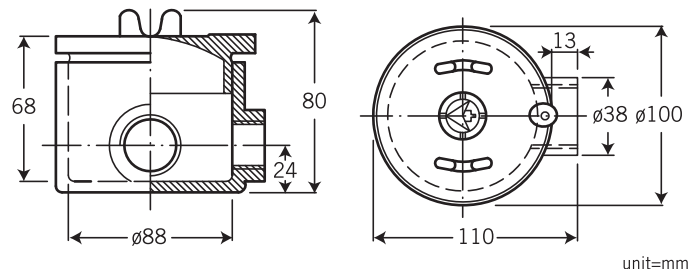


Head Type Technical Data

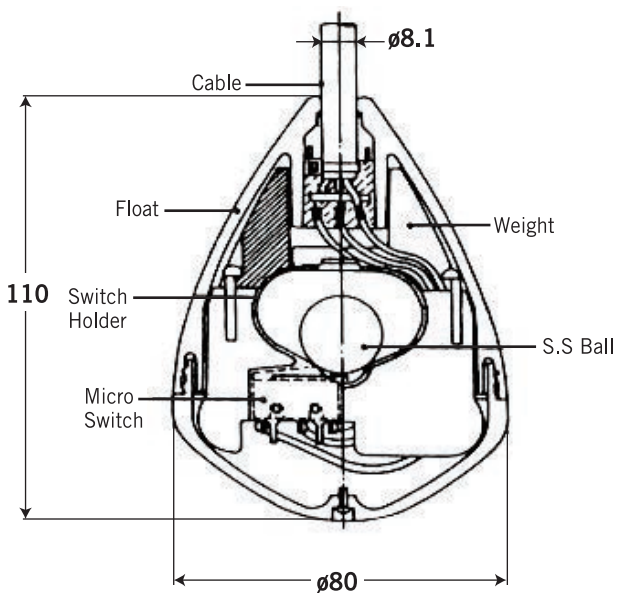
MS-1 TYPE



Protection: IP66
Material: Aluminum Alloy
Extension Wire Connection: $\frac{1}{2}$ ", $\frac{3}{4}$ "NPT
Weight: 650g



Dimensions for Float

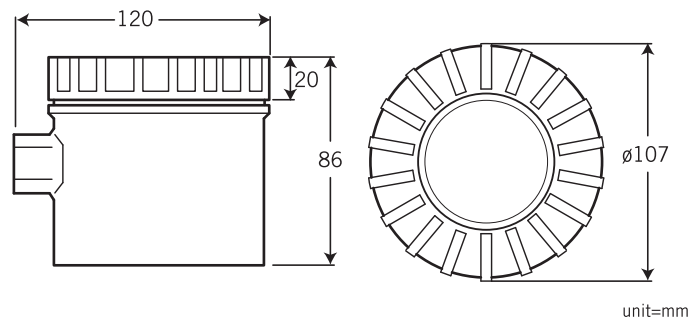


LQ Series Float
(unit=mm)

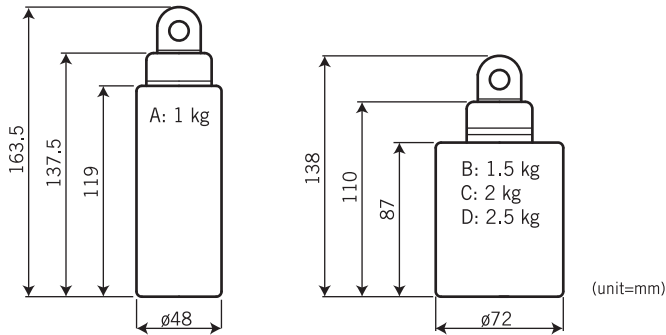
CP Type



Protection: IP66
Material: P.P
Extension Wire Connection: $\frac{3}{4}$ "BSP
Weight: 170g



Dimensions for Weight



Model & Dimensions (unit=mm)

LQ-00	LQ-01	LQ-02	LQ-03	LQ-04
<p>NOTE.</p> <ol style="list-style-type: none"> 1. For model LQ-01~LQ-05: Flange size is equal or bigger than 4". 2. For model LQ-06~LQ-07: Flange size is equal or bigger than 6". 				
LQ-05	LQ-06	LQ-07		

