

# PADDLE WHEEL LIQUID FLOW METER

## HF200

### Technical Data

**Connection Size:** 1½" NPT female standard

**Power Supply:** 3.8V to 30VDC

**Output:** Sink(NPN) and 4~20mA available

**Material:**

Housing Case-Aluminum alloy [for output 4~20mA (4-wires) only]

Body- Polypropylene, PVDF available

Cover-PP, PVDF available

Rotor-PVDF

Shaft-HC 276

Bearings-PVDF

**Housing Protection:** IP68

**O-Ring:** Viton

**Conduit Size:** ½" NPT(F)

**Max. Temperature:** 70°C

**Max. Pressure:** Polypropylene: 10 kg/cm<sup>2</sup>

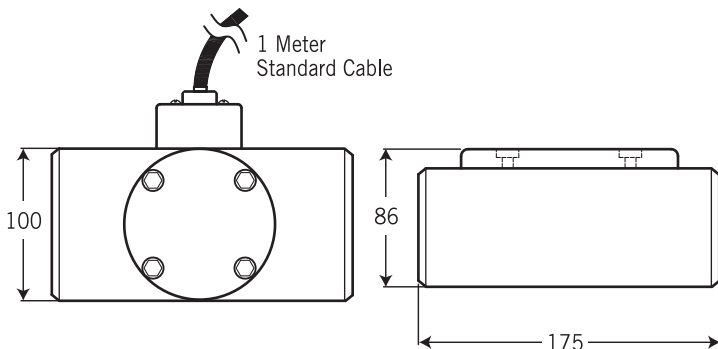
PVDF: 15 kg/cm<sup>2</sup>

**Accuracy:** ±2%F.S

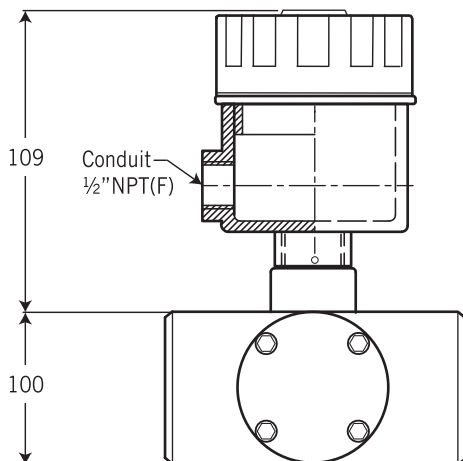
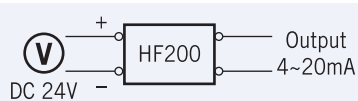


### Dimensions-mm

#### Code 1: Sink (NPN) Output



#### Code 2: 4~20mA (4-wires) Output

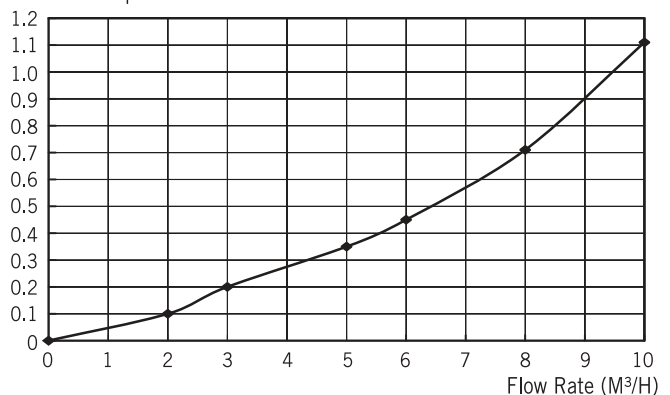


### Range Table

| SIZE | FLOW RATES (M <sup>3</sup> /H) | NOMINAL FACTORS PER LITER |
|------|--------------------------------|---------------------------|
| 1½"  | 1~10                           | 7.1                       |

### Pressure Drop: 1½"

Pressure Drop



### Ordering Information

| HF200 | Code        | Process Connection Size |
|-------|-------------|-------------------------|
|       |             | (1) 1½"                 |
|       | <b>Code</b> | <b>Body Material</b>    |
|       | A           | Polypropylene           |
|       | B           | PVDF                    |
|       | <b>Code</b> | <b>Cover Material</b>   |
|       | 1           | PP                      |
|       | 2           | PVDF                    |
|       | <b>Code</b> | <b>Output</b>           |
|       | 1           | Sink (NPN) output       |
|       | 2           | 4~20mA output           |
| HF200 |             | Complete Ordering Code  |