

# MINI TYPE WHEEL FLOW METER HF150

## Technical Data

**Connection Size:** 1/4", 3/8", 1/2" and 3/4" NPT female standard;  
PT, BSP(PF) thread available

**Power Supply:** 3.8V to 30VDC

**Output:** Sink (NPN)

**Material:** Body- CF8M; Window- PC; Cover- ABS;  
Wheel- PVDF; Shaft- SS316; Bearings- PVDF+POM;  
Cable- PVC; O-Ring- NBR

**Housing Protection:** IP65

**Measuring Fluid:** Cooling water and various liquids (Non-Corrosive Liquid)

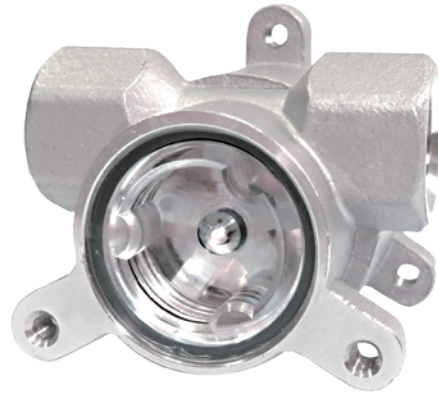
**Working Viscosity:** Less than 2 cps

**Working Temperature:** Standard 0~50°C

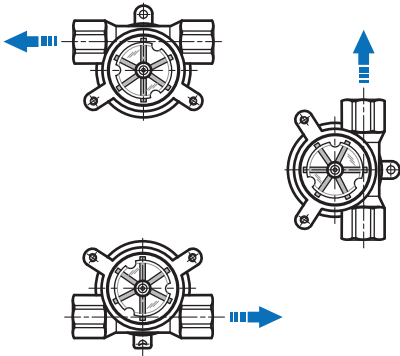
**Working Pressure:** Maximum 1.0 MPa @25°C

**Accuracy:** Pulse output linearity: ±3%F.S

**Installation:** Horizontal or Vertical available



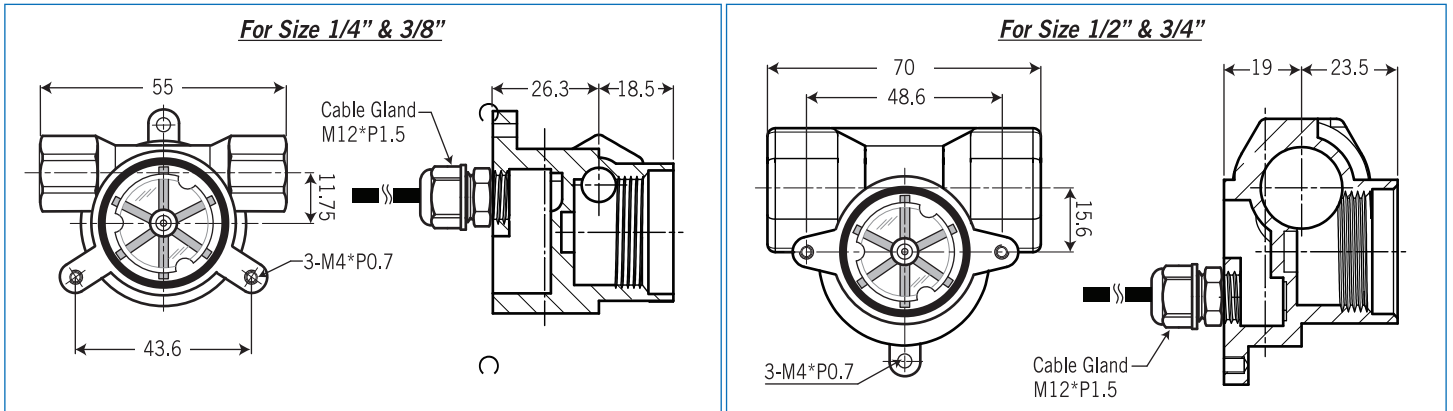
## Mounting Position



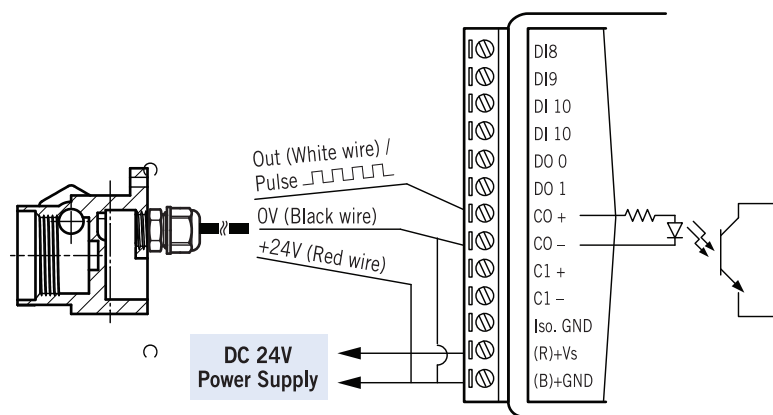
## Range Table

SIZE	FLOW RATES (LPM)	NOMINAL FACTORS PER LITER	ΔP (mmH <sub>2</sub> O)
1/4"	1.5~8	k=1420	2000
3/8"	2~20	k=930	2000
1/2"	7~70	k=195	1500
3/4"	10~100	k=142	1500

## Dimensions-mm



## Wire Drawing



## Ordering information

HF150	Code	Process Connection Size
		(1) 1/4" (2) 3/8" (3) 1/2" (4) 3/4"
	<b>Code</b>	<b>Thread Type</b>
	N	NPT female, standard
	P	PT female
	B	BSP(PF) female
	<b>Code</b>	<b>Body Material</b>
	A	CF8M
	<b>Code</b>	<b>Cover Material</b>
	1	ABS
	<b>Code</b>	<b>Output</b>
	1	Sink (NPN) output
HF150		Complete Ordering Code