

# PADDLE WHEEL LIQUID FLOW METER HF100

## Technical Data

**Connection Size:** 3/8", 1/2", 3/4", 1" NPT female standard

**Power Supply:** 3.8V to 30VDC

**Output:** Sink(NPN) and 4~20mA available

**Material:**

Housing Case-Aluminum alloy [for output 4~20mA (4-wires) only]

Body- Polypropylene, PTFE, PVDF available

Cover-Acrylic, PP, PTFE, PVDF available

Rotor-PVDF

Shaft-Ceramic

Bearings-Ceramic

**Housing Protection:** IP68

**O-Ring:** Viton

**Conduit Size:** 1/2" NPT(F)

**Max. Temperature:** 70°C

**Max. Pressure:** Polypropylene and PTFE: 10 kg/cm<sup>2</sup>

PVDF: 15 kg/cm<sup>2</sup>

**Accuracy:** ±2%F.S

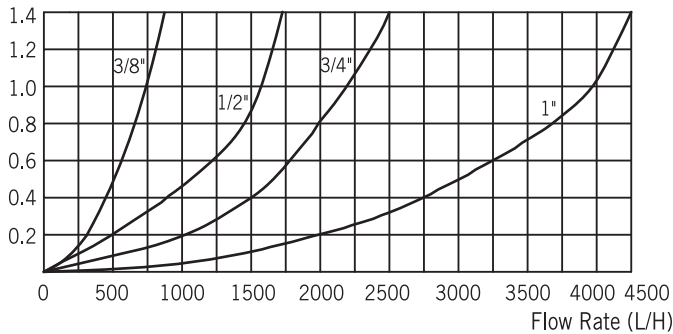


## Range Table

SIZE	FLOW RATES (LPH)	NOMINAL FACTORS PER LITER
3/8"	20~800	398.32
1/2"	30~1400	205.32
3/4"	100~2100	150.32
1"	120~4200	61.02

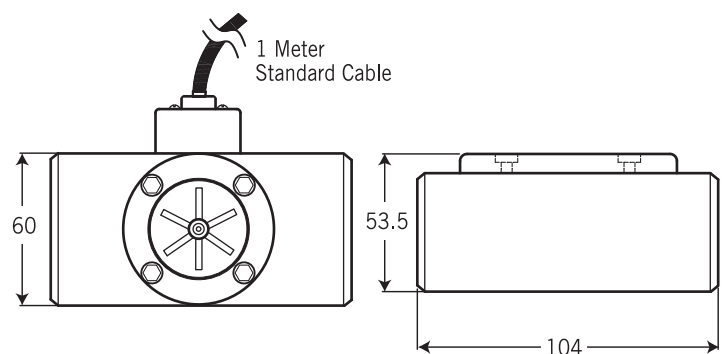
## Pressure Drop: 3/8"~1"

Pressure Drop

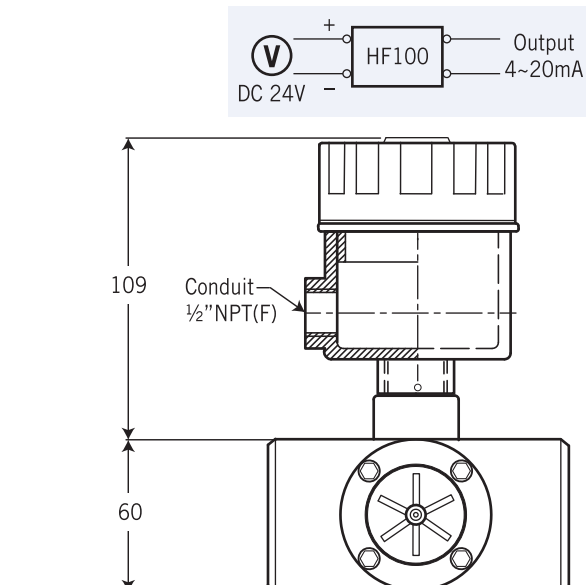


## Dimensions-mm

### Code 1: Sink (NPN) Output



### Code 2: 4~20mA (4-wires) Output



## Ordering Information

HF100	Code	Process Connection Size
		(1) 3/8" (2) 1/2" (3) 3/4" (4) 1"
	<b>Code</b>	<b>Body Material</b>
	A	Polypropylene
	B	PTFE
	C	PVDF
	<b>Code</b>	<b>Cover Material</b>
	1	Acrylic (standard)
	2	PP
	3	PTFE
	4	PVDF
	<b>Code</b>	<b>Output</b>
	1	Sink (NPN) output
	2	4~20mA output
HF100		Complete Ordering Code