

GENERAL THERMOWELLS



**Thermowell w/
Tantalum Jackets**

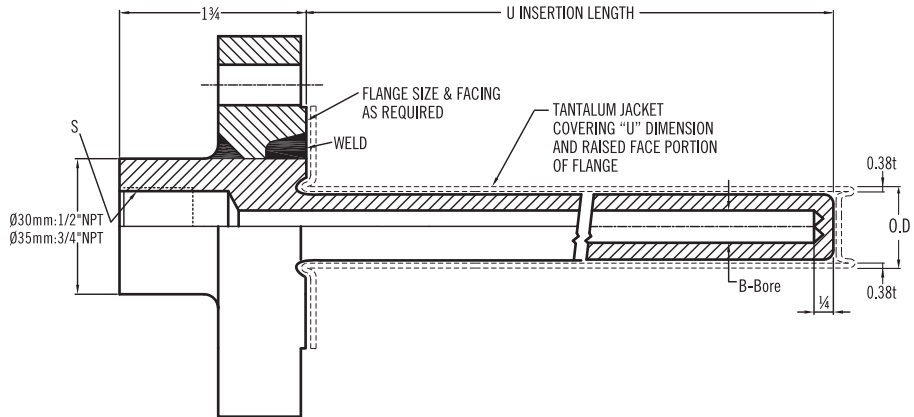
•Tantalum jackets, pipe O.D / thickness:

- O.D ϕ 12.8mm / 0.38mmt
- O.D ϕ 19.8mm / 0.38mmt
- O.D ϕ 23.0mm / 0.38mmt

*Others available upon request.

Jacket Type Thermowells

Model : JAT

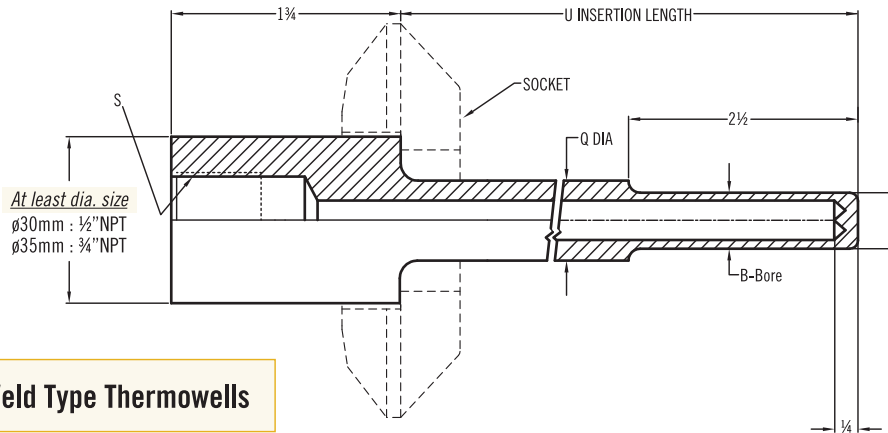


•Tantalum jackets, for flange size:

Flange Size	Diameter / Thickness of Tantalum Jackets Raised Face	Tantalum Jackets Available Pipe O.D		
		ϕ 12.8mm	ϕ 19.8mm	ϕ 23.0mm
1" ANSI 150#RFSF	ϕ 50.8mm / 0.6mmt	✓	✓	
1" ANSI 300#RFSF	ϕ 50.8mm / 0.6mmt	✓	✓	
1 1/2" ANSI 150#RFSF	ϕ 73.0mm / 0.6mmt	✓	✓	✓
1 1/2" ANSI 300#RFSF	ϕ 73.0mm / 0.6mmt	✓	✓	✓
2" ANSI 150#RFSF	ϕ 92.0mm / 0.6mmt		✓	✓
1" JIS 10K RFSF	ϕ 67.0mm / 0.6mmt	✓	✓	
1 1/2" JIS 10K RFSF	ϕ 81.0mm / 0.6mmt	✓	✓	

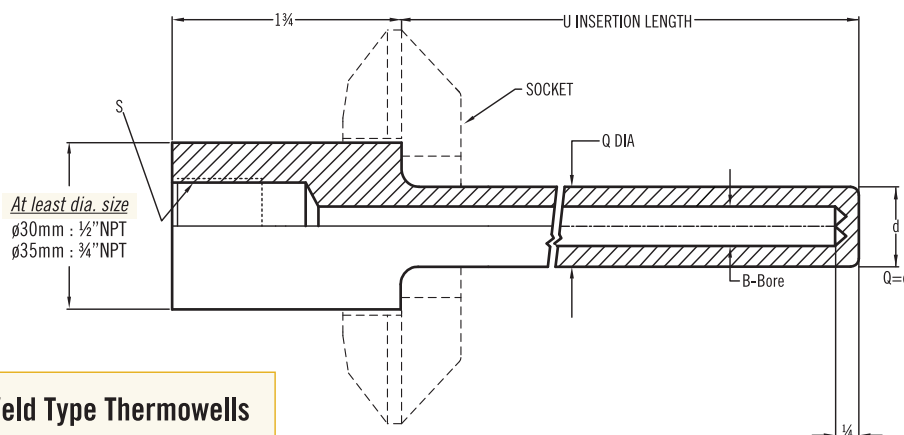
*Please consult with the manufacturer for other flange size.

Model : SWP



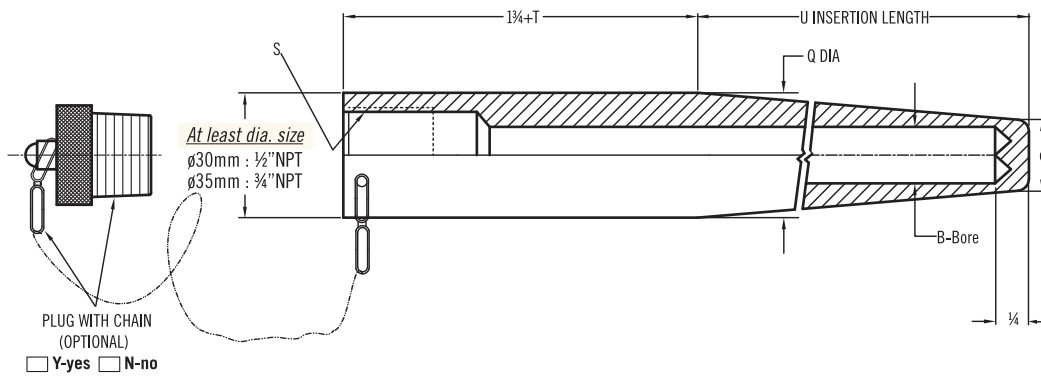
Socket-Weld Type Thermowells

Model : SWS



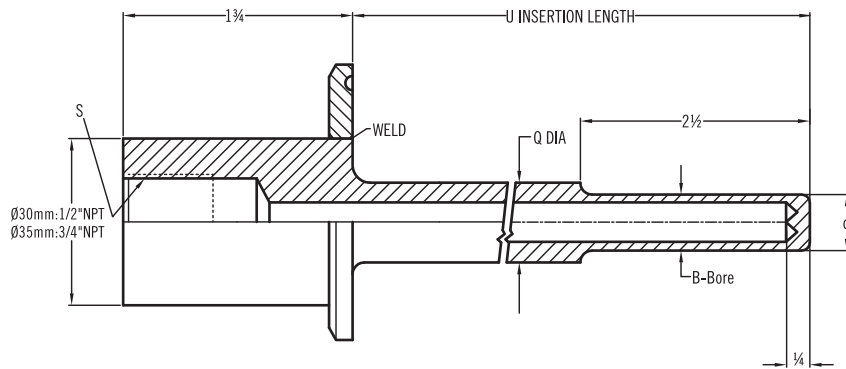
Socket-Weld Type Thermowells

Model : WDN



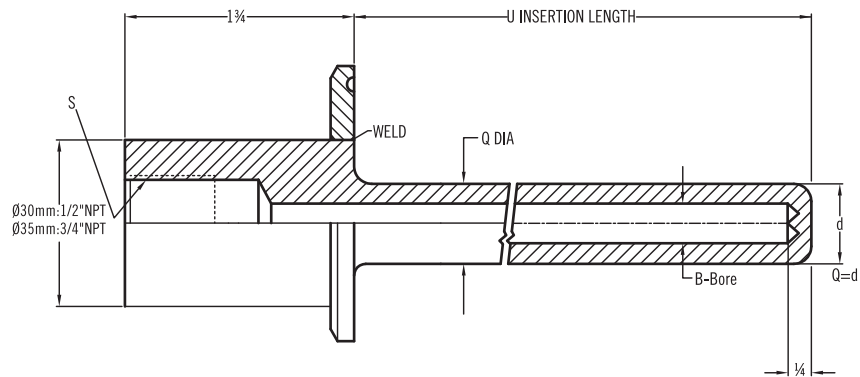
Weld-In Type Thermowells

Model : SCP



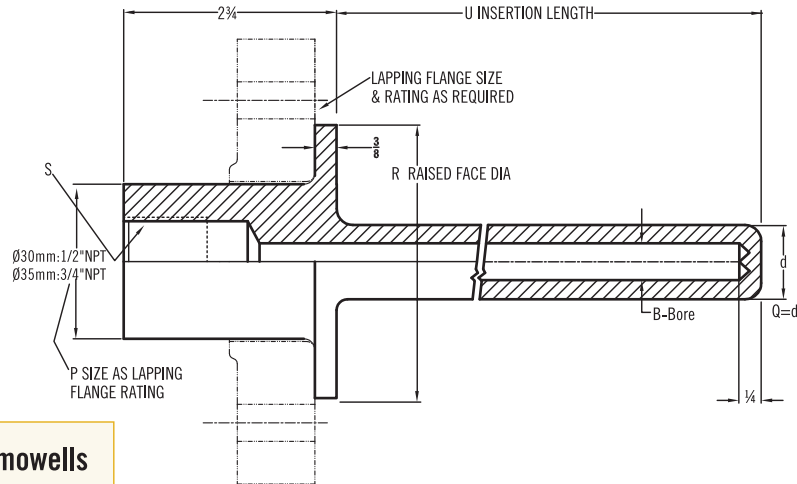
Sanitary Clamp Type Thermowells

Model : SCS



Sanitary Clamp Type Thermowells

Model : VST



Van Stone Thermowells

Ordering Information

Model	SWP	SWS	WDN	SCP	SCS	JAT	VST
↓ ↓ ↓ ↓ ↓ ↓ ↓ ↓ ↓ ↓ ↓ ↓ ↓ ↓ ↓	Code	Material					
	CS	Carbon Steel			MO	Monel	
	S1	304 Stainless Steel			HC	Hastelloy C276	
	S2	316 Stainless Steel			Ti	Titanium	
	S3	316L Stainless Steel			OP	Option (please indicate material)	
	Code	Process Connection					
		(1) Without (2) With (please indicate size)					
	Code	"U" Insertion Length					
		Please indicate length.					
	Code	S-Instrument Connection					
		(A) ½"NPT Femal (B) ¾"NPT Female (O) option					
	Code	Lag Length "T"					
	No	0					
	Tn	option (please indicate length)					
	Code	"Q" Diameter					
	Fill in the requested diameter: e.g. 20mm=20Q			0	without Q		
Code	"d" Diameter						
	Fill in the requested diameter: e.g. 15mm=15d						
Code	"B" BORE diameter						
	Fill in the requested diameter: e.g. 7mm=7B						
Code	Pulg with Chain						
Y	Yes	N	No				
Complete Ordering Code							