

ACCESSORIES OF FLANGE ADAPTERS

Technical Data

Model: FAT Type- Female Thread to Flange
 FATN Type- Nipple Female Thread to Flange
 FAD Type- Fitting Adapter to Flange
 FAS Type- Welded Swivel Nut to Flange

Material: SS316 standard; and others are available

Flange Series: 1. Raised Face (RF type)
 2. Ring-Joint (RJ type)
 3. Others (Tongue or groove)

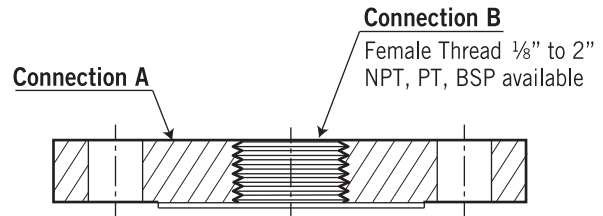
Flange Connection Type:

- ASME B16.5: NPS ½" to NPS 2". (Pressure Raing: 150psi to 2500psi)
- DIN EN 1092: DN15 to DN50. (Pressure Raing: PN40 to PN100)
- JIS B 2220: JIS ½" to JIS 2". (Pressure Raing: JIS 10K to 63K)

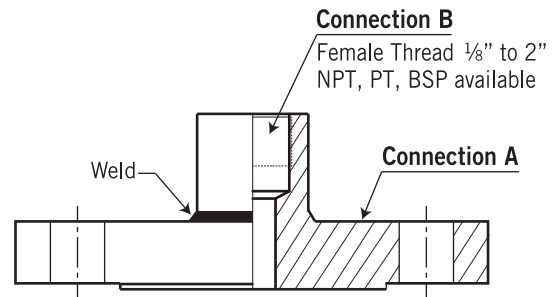
Thread Connection Type: Female Thread NPT, PT, BSP available

Configuration

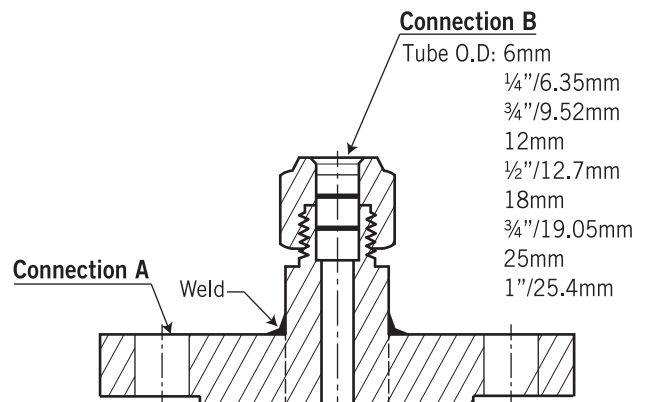
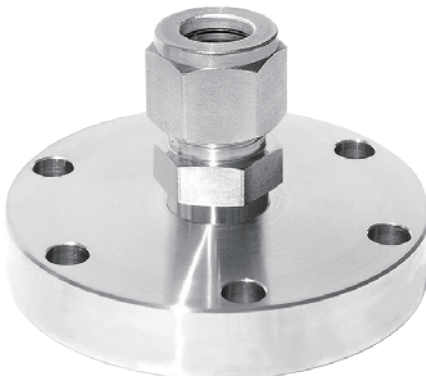
FAT Type



FATN Type

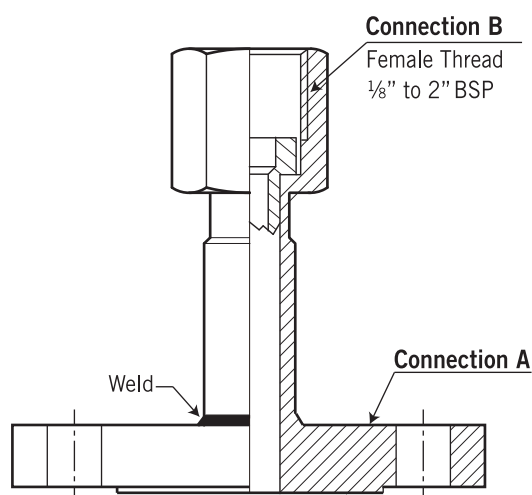


FAD Type



Configuration

FAS Type



Ordering Information

Model	Code	Model Type			
	FAT	Female Thread to Flange	FATN	Nipple Female Thread to Flange	
	FAD	Fitting Adapter to Flange	FAS	Welded Swivel Nut to Flange	
	Code	Material			
	S1	SS316, Standard	OP	Option (please indicate material)	
	Code	Flange Connection Type			
	ASME	ASME B16.5	JIS	JIS B 2220	DIN DIN EN 1092
	Code	Connection A (Flange Size)			
		(4F) 1/2" (6F) 3/4" (10F) 1" (12F) 1 1/4" (15F) 1 1/2" (20F) 2"			
		(15) DN15 (20) DN20 (25) DN25 (32) DN32 (40) DN40 (50) DN50			
		(O) Option			
	Code	Flange Rating			
		(A) 150# (B) 300# (C) 600# (D) 900# (E) 1500# (F) 2500# (G) PN10 (H) PN16 (I) PN25 (J) PN40 (K) JIS 5K (L) JIS 10K (M) JIS 20K			
		(O) Option			
	Code	Flange Series			
		(RF) Raised Face (RJ) Ring-Joint (O) Option			
	Code	Connection B			
		Please fill out the female thread type and size or tube O.D as required directly			

Complete Ordering Code																						

Ordering code example:

FATN-S1-ASME-20F-A-RF-1/2"NPT(F)

- FATN = Nipple Female Thread to Flange
- S1 = SS316
- ASME = Flange ASME B16.5
- 20F = 2"
- A = 150#
- RF = Raised Face
- 1/2"NPT(F) = Size: 1/2", Thread Type: NPT