

FLOW SWITCH FS40R FS40RB-BRASS FS40RS-STAINLESS STEEL

Easy Installation
For Small Pipe Application

Technical Data

Protection Class: IP65
Process Connection: 1/2", 3/4" Female (Tee), NPT and PT available
Material: Housing: Plastic (Other wetted part: brass or stainless steel)
Application: For "Non-Corrosive" liquid fluid available
Installation: Easily mounted directly on a pipe
Microswitch: SPDT, 15A 125, 250V 480 VAC, 1/2A 125 VDC, 1/4A 250 VDC
Conduit Connection: PG11, other thread available with adaptor
Temperature Limit: -30~+120°C
Pressure Limit: 15 kg/cm²- stainless steel ; 10 kg/cm²- brass

Option Function (Extra Cost):

LED Alarm Light: Red color (Bilateral side conduit connection available)
Power Supply for LED Alarm Light: AC 110V, AC 220V; option available



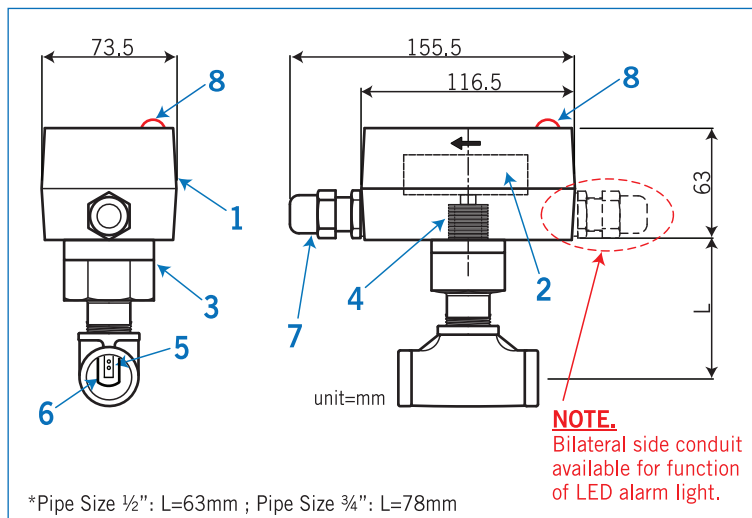
Approvals:



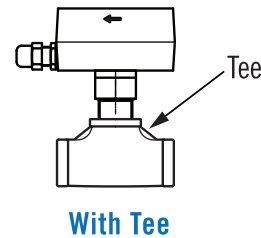
Flow Rate Table (For Acuate & Deactuate)

Flow Rates Required to Actuate, Deactuate Litter per Hour (L/H) Water at 25°C				
Pipe Size	Actuate (on)		Deactuate (OFF)	
	FS-40RB	FS-40RS	FS-40RB	FS-40RS
1/2"	590~600	610~630	370~390	390~410
3/4"	760~780	790~810	465~480	490~520

Dimensions



Installation Instruction



Ordering Information

FS40R	Code	Connection Material
	B	Brass
	S	SS316
		Code Process Connection
	1	1/2" NPT female
	2	1/2" PT female
	3	3/4" NPT female
	4	3/4" PT female
	0	option
		Code Option Function (Extra Cost)
	1	LED Alarm Light only
	2	LED Alarm Light + Bilateral Side Conduit Connection
	N	Without
FS40R		Complete Ordering Code

Material List

Item		FS-40RB	FS-40RS
1	Housing	Plastic	Plastic
2	Switch Mechanism	Microswitch Unit	Microswitch Unit
3	Connection	Brass	SS316
4	Bellows	Brass	SS316
5	Paddle Guide	Brass	SS316
6	Paddle	SS301	SS301
7	Conduit	Plastic	Plastic
8	LED Alarm Light (option function)	Plastic	Plastic