

# PISTON TYPE FLOW SWITCH

**FS35R** FS35RB– Stainless Steel + Brass Inner Parts  
 FS35RS– Stainless Steel

**Good Repeatability**  
**Dirt-Resistance**  
**High Switch Capability**

The New-Flow FS35R Flow Switch for liquids or gaseous media with spring supported piston and magnetic actuation of a micro switch. Robust design, produced in materials brass or stainless steel.



**Approvals:**

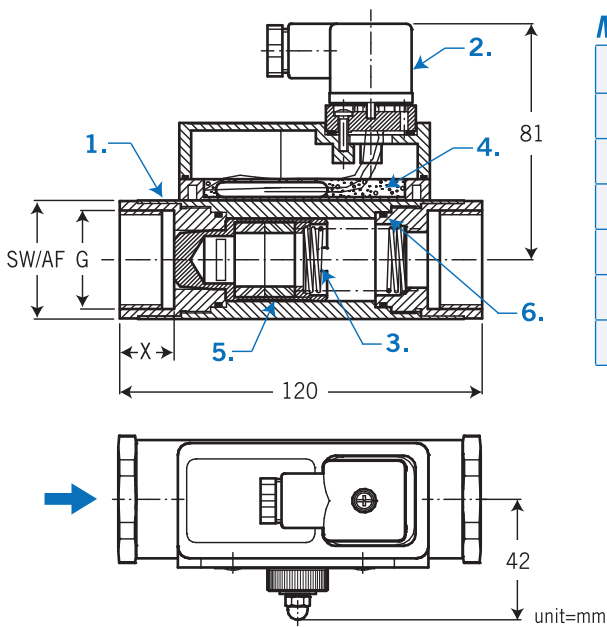


\*In general, We DON't recommend using FS35R for the seawater application! But, if it is necessary, please let us know, we can customize the special magnet with lining to match up!

## Technical Data

- Protection Class:** IP65
- Process Connection:** ¼" to 1" female, thread PF and NPT available
- Wetted Parts Material:** Brass or Stainless Steel
- Micro Switch:** Rating 3A/250VAC, 5A/125VAC
- Conduit Connection:** DIN43 650 / EN 175301-803
- Accuracy:** ±5% of Full Scale
- Temperature Limited:** Max. 120°C
- Pressure Limited:** Average pressure loss 0.5 Bar at Qmax
- Hysteresis:** Depending on switch value from 15~20% F.S.

## Dimensions



## Material List

ITEM	Parts Name	FS35RB	FS35RS
1.	Body	Stainless Steel 316	Stainless Steel 316
2.	Switch Head	Polycarbonate	Polycarbonate
3.	Spring	Stainless Steel 316	Stainless Steel 316
4.	Magnet	Bariumferrite	Bariumferrite
5.	Piston	Brass	Stainless Steel 316L
6.	Seal	Viton	Viton

## Flow Rate Table

(W) Water:

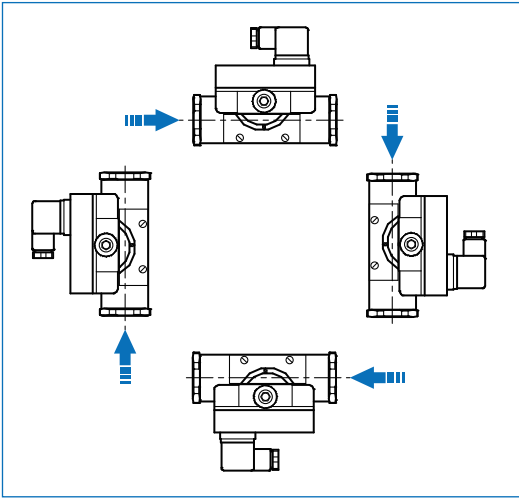
Model	Size	PN	Qmax. Recom. (L/Min H <sub>2</sub> O)	Adjustable Range (L/Min H <sub>2</sub> O)			AF (mm)	X (mm)	Weight (KG)
FS35RB & FS35RS	¼"	200 bar	10	0.5~5	1~10		40	15	1.3
	⅜"	200 bar	20	0.5~5	1~10	1.8~18	40	15	1.3
	½"	200 bar	40	1.6~16	2~20	3.5~35	40	15	1.2
	¾"	200 bar	60	2~20	4~40	6~60	40	18	1.2
	1"	200 bar	80	2~20	4~40	6~60	40	18	1.1

(O) Oil:

Model	Size	PN	Qmax. Recom. (L/Min H <sub>2</sub> O)	Adjustable Range (L/Min)			AF (mm)	X (mm)	Weight (KG)
FS35RB & FS35RS	¼"	200 bar	10	0.5~5	0.8~8	1~10	40	15	1.3
	⅜"	200 bar	20	1~10	1.5~15	2~20	40	15	1.3
	½"	200 bar	40	2~20	2.5~25	4~40	40	15	1.2
	¾"	200 bar	60	2.5~25	5~50	6~60	40	18	1.2
	1"	200 bar	80	2.5~25	5~50	6~60	40	18	1.1

**NOTE.** Adjustable range is indicated for horizontally decreasing flow.

## Flow Direction



**NOTE.**  
Installation position may influence switch value.

## Ordering Information

FS35R	<b>Code</b>	<b>Body Material</b>			
	B	Stainless Steel + Brass inner parts			
	S	Stainless Steel			
	<b>Code</b>	<b>Process Connection Size</b>			
		(1) 1/4" (2) 3/8" (3) 1/2" (4) 3/4" (5) 1"			
	<b>Code</b>	<b>Thread (Female)</b>			
		(G) PF (N) NPT			
	<b>Code</b>	<b>Adjustable Range (Horizontal)</b>			
	<b>W</b>	Water (L/Min H <sub>2</sub> O) (1) 0.5~5 (2) 1~10 (3) 1.6~16 (4) 1.8~18 (5) 2~20 (6) 3.5~35 (8) 4~40 (9) 6~60			
	<b>O</b>	Oil (L/Min) (10) 0.5~5 (11) 0.8~8 (12) 1~10 (13) 1.5~15 (14) 2~20 (15) 2.5~25 (16) 4~40 (17) 5~50 (18) 6~60			
FS35R					<b>Complete Ordering Code</b>

### Ordering code example:

**FS35R-B-3-G-014**

- FS35R = Model
- B = Body: Stainless Steel + Brass inner parts
- 3 = 1/2"
- G = PF
- 014 = Oil, 2~20 L/Min

### NOTE.

Please check the Flow Rate Table of the adjustable range against the connection size.

### Reminder before ordering:

In general, We DON't recommend using FS35R for the seawater application!  
But, if it is necessary, please let us know before placing an order,  
we can customize the special magnet with lining to match up!