

ACRYLIC PLASTIC FLOW METER FAC300

Technical Data

Service: Water, Liquid or Air
Wetted parts material: Body-Acrylic, Plastic (POLYPROPYLENE), O-ring- EPDM
Float Guide: 316 stainless steel
Connection material: POLYPROPYLENE
Temperature & pressure limits: 120 psig (8.4 bar) @100°F (38°C)
Temperature limited: 0-45°C
Accuracy: ±3% full scale
Mounting: vertical position
Weight: 0.7 kg

Range Table

A. Fluid Type: Water

Code	Flow Range	Flow Unit
11	0.5~5	GPM, Gallon (us) per Minute
12	0.7~7	GPM, Gallon (us) per Minute
13	1~10	GPM, Gallon (us) per Minute
14	2~20	GPM, Gallon (us) per Minute
15	2~20	LPM, Litter per Minute
16	2.5~25	LPM, Litter per Minute
17	5~50	LPM, Litter per Minute
18	10~90	LPM, Litter per Minute
19	0.1~1	M ³ /H, Cubic Meter per Hour
20	0.3~3	M ³ /H, Cubic Meter per Hour
21	0.5~5	M ³ /H, Cubic Meter per Hour

B. Fluid Type: Air

Code	Flow Range	Flow Unit
23	2.5~25	SCFM, Standard Cubic Feet per Minute
24	3~30	SCFM, Standard Cubic Feet per Minute
25	5~50	SCFM, Standard Cubic Feet per Minute
26	10~100	SCFM, Standard Cubic Feet per Minute
27	80~800	NLPM, Normal Litter per Minute
28	160~1600	NLPM, Normal Litter per Minute
29	300~3000	NLPM, Normal Litter per Minute
30	4~40	NM ³ /H, Normal Cubic Meter per Hour
31	5~50	NM ³ /H, Normal Cubic Meter per Hour
32	10~100	NM ³ /H, Normal Cubic Meter per Hour
33	20~200	NM ³ /H, Normal Cubic Meter per Hour

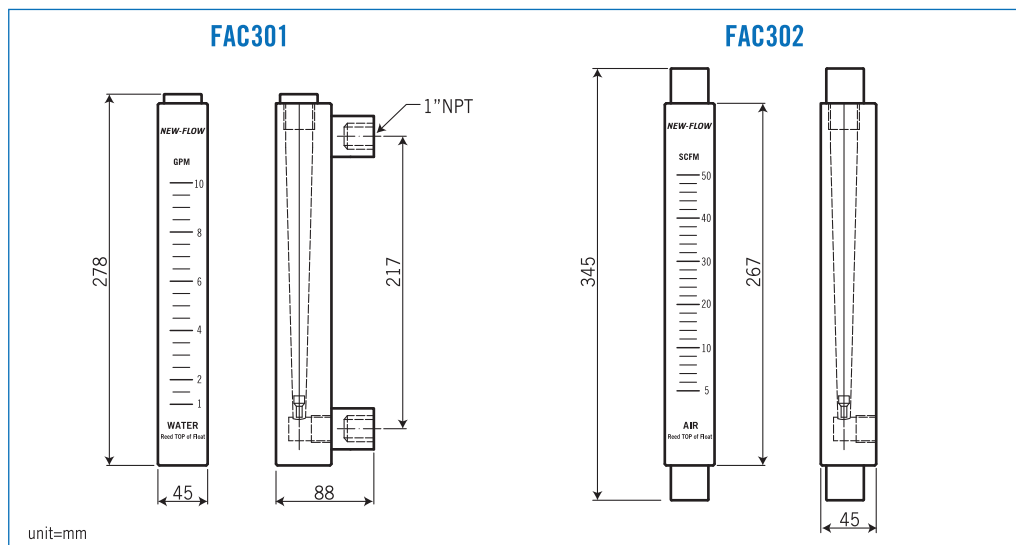


FAC301



FAC302

Dimensions



Ordering Information

Model	FAC301	FAC302	
	Code	Float Material	
	1	SS316	
	Code	Connection Size	
	A	1"NPT Female	
	Code	Range Scale	
		Please refer to the Range Table.	
			Complete ordering code