

EXPLOSION PROOF TYPE UNION EU SERIES

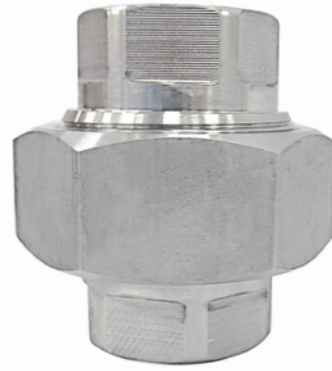
Explosion Proof : Ex d II Gb X / Ex tb IIIC Db X
Weather Proof : IP68

Technical Data

Connection Size: Thread $\frac{1}{2}$ "NPT(F) x $\frac{1}{2}$ "NPT(F) or
 $\frac{3}{4}$ "NPT(F) x $\frac{3}{4}$ "NPT(F) available

Body Material: SS316L

O-Ring Material: Viton or Teflon available
(Max. temperature for Viton: 100°C; for Teflon: 120°C.)

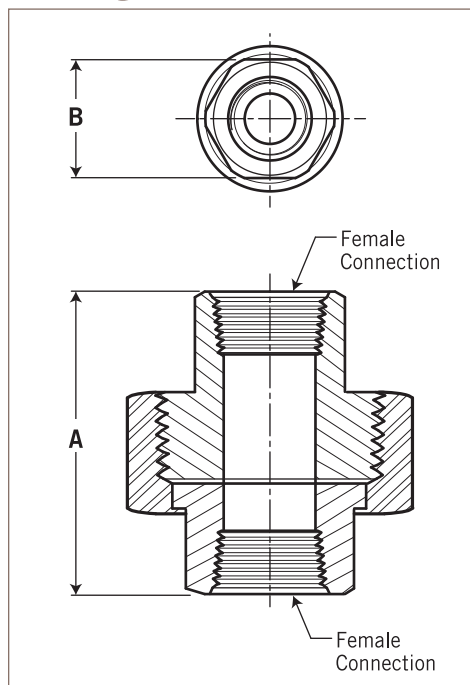


Approvals:



TD0400TJ
(ITRI)2018 第07-00122號

Ordering Information & Dimensions



Ordering Code	Connection Size	Material	A	B
EU-04-NPT	$\frac{1}{2}$ "NPT(F) x $\frac{1}{2}$ "NPT(F)	SS316L	51.0	30.0
EU-06-NPT	$\frac{3}{4}$ "NPT(F) x $\frac{3}{4}$ "NPT(F)	SS316L	52.0	32.0

unit=mm

NOTICE.

*Viton or Teflon o-ring are on request.

Please specify which one is necessary when placing an order.*