

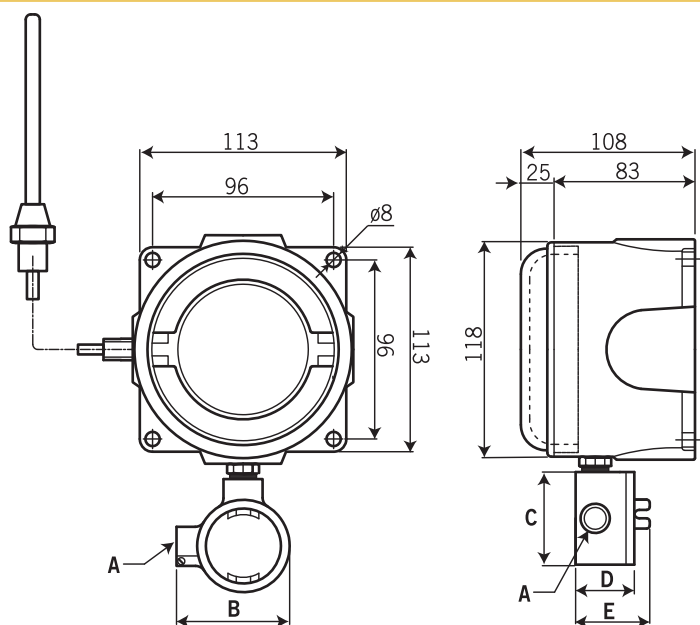
# TEMPERATURE SWITCH EXPLOSION PROOF TYPE ETS3000X SERIES

CLASS I, GROUPS B, C & D  
CLASS II, GROUPS E, F & G; NEMA 4X  
Temperature: -200 ~ +650°C

## Technical Data

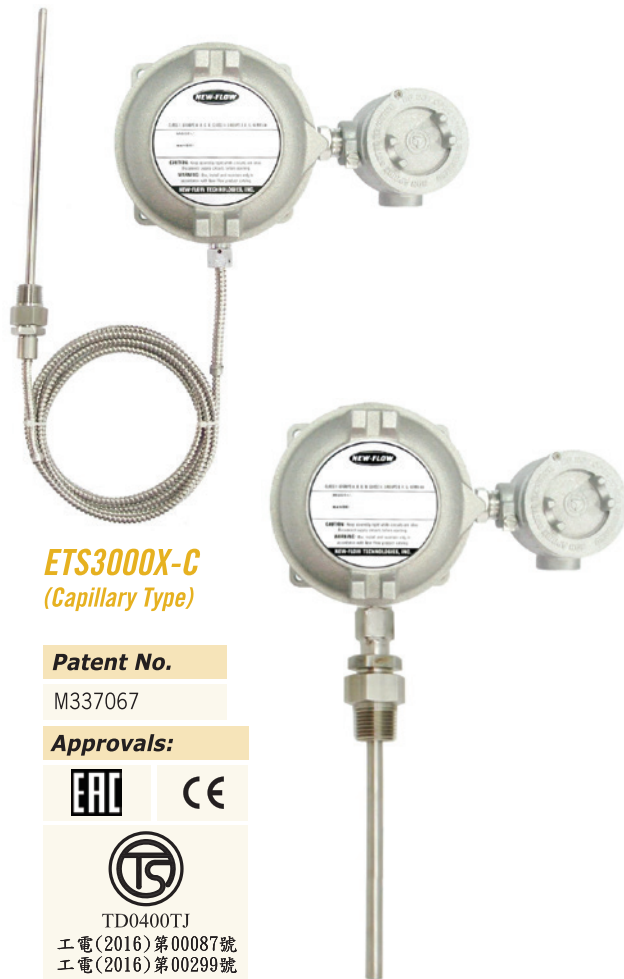
Type	Liquid Filled Type	Gas Filled Type
Temperature Range	-70~+400°C	-200~650°C
Remote capillary length	20M max.	30M max.
Electric contact	1~2 contacts	
Microswitch type S.P.D.T.	Nominal operating voltage: 250 VAC max. Current: 5A max.	
Alternatively switch data	Nominal operating voltage: 28 VDC max. Current: 5A max.(ohmic load); 3A max. (inductive load) Contact material: Pure silver 999.9 Ambient temperature: -20°C ~ +60°C	
Explosion proof class	Class I, Groups B, C & D; Class II, Groups E, F & G; NEMA 4X	
Material of case & cover	Aluminum alloy die-casting	
Switch acting differential	±1.6~3% of F.S.	
Contact adjusting method	Internal adjusting method	
Conduit connection	½" or ¾" NPT(F)	
Process connection	½" or ¾" NPT Male	
Sensor material	wetted parts are all in SS316	

## Dimensions



A	B	C	D	E
½" NPT	80	70	63	73
¾" NPT	100	90	67	79

unit=mm



**ETS3000X-C**  
(Capillary Type)

### Patent No.

M337067

### Approvals:



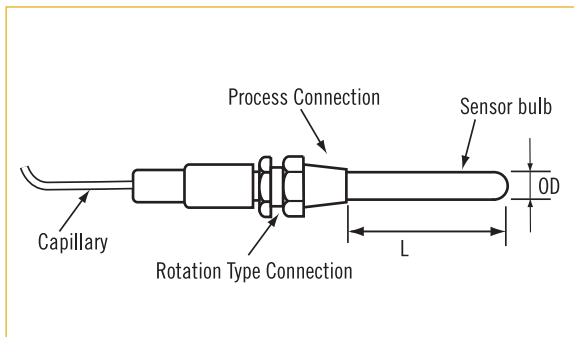
TD0400TJ  
工電(2016)第00087號  
工電(2016)第00299號



Switches with UL & CSA Recognized and File No. E12252.

**ETS3000X-B**  
(Bottom Connection Type)

## Minimum Inserting Length of Sensor Bulb



## Range Selection Table Effective Bulb Insertion Length

Liquid Filled Type	
Code	Adjustable Range (°C)
L1	-70~+50
L2	-50~+50
L3	-30~+50
L4	-30~+100
L5	-10~+50
L6	-10~+100
L7	0~50
L8	0~60
L9	0~80
L10	0~100
L11	0~120
L12	0~150
L13	0~200
L14	0~250
L15	0~300
L16	0~400

Liquid Filled Type					
Outside Dimension "d"	Range °C	ø6	ø8	ø10	ø12
		1	-70~+50	100	70
2	-50~+50	120	80	50	30
3	-30~+50	150	100	60	40
4	-30~+100	100	70	40	30
5	-10~+50	190	130	70	50
6	-10~+100	110	80	50	30
7	0~50	230	150	80	60
8	0~60	190	130	70	50
9	0~80	150	100	60	40
10	0~100	120	80	50	30
11	0~120	100	70	40	30
12	0~150	80	60	40	30
13	0~200	70	50	30	20
14	0~250	60	40	30	20
15	0~300	50	40	30	20
16	0~400	40	30	20	20

Gas Filled Type					
Outside Dimension "d"	Capillary Length	ø6	ø8	ø10	ø12
		1	0~10 M	250	170
2	11~30 M	250	170	140	90

Gas Filled Type	
Code	Adjustable Range (°C)
G4	-200~+200
G5	-100~+300
G9	-50~+400
G10	-50~+500
G11	-50~+600
G17	0~400
G18	0~500
G19	0~650

## Ordering Information

Model	Type
ETS3000X-B	Bottom Connection type
ETS3000X-C	Capillary type
Code	Measuring Range
(G4) -200~+200°C (G5) -100~+300°C (G9) -50~+400°C (G10) -50~+500°C (G11) -50~+600°C (G17) 0~400°C (G18) 0~500°C (G19) 0~650°C (L1) -70~+50°C (L2) -50~+50°C (L3) -30~+50°C (L4) -30~+100°C (L5) -10~+50°C (L6) -10~+100°C (L7) 0~50°C (L8) 0~60°C (L9) 0~80°C (L10) 0~100°C (L11) 0~120°C (L12) 0~150°C (L13) 0~200°C (L14) 0~250°C (L15) 0~300°C (L16) 0~400°C	
Code	Capillary Length (M)
	Please fill in the requested length. 0 only for ETS3000X-B
Code	Process Connection
	(A) ½" NPT Male (B) ¾" NPT Male (O) option
Code	Stem Outside Dimensions
	(1) ø6mm (2) ø8mm (3) ø10mm (4) ø12mm (5) option
Code	Stem Length (mm)
	Please refer to bulb length table. Fill in the requested length.
Code	Micro Switch
	(1) One setting point SPDT x 1 (2) Two setting point SPDT x 2
Code	Conduit Size
	(A) ½"NPT(F) (B) ¾"NPT(F) (C) option
Code	Explosion Proof / Housing Material
A	(Certificate on Housing only) / Aluminum alloy: Class I, Groups B, C & D; Class II, Groups E, F & G; NEMA 4X
B	(Taiwan Explosion Proof Certification) / Aluminum alloy: Ex d IIB + H <sub>2</sub> T6 Gb
B1	(Taiwan Explosion Proof Certification) / SS316: Ex d IIB + H <sub>2</sub> T6 Gb
Code	Micro Switch Rating
	5A / 250VAC 5A / 28VDC 3A / 28VDC

## OPTION.

1. Special range available upon request.
2. Special scale available upon request.
3. Special stem diameter and length available upon request.