

# DISPLACER LEVEL SWITCH 300 Three Stage Series

**EDW300** – Weather Proof Type

**EDX300** – Explosion Proof Type

The NEW-FLOW Displacer Level Switches are made to fit wide range applications such as pump control, waste water level and deep open tank. They are designed for high corrosive resistance and long service life. 300-Series are three stage control and easy to install.

### Technical Data

#### Easy Installation

**Wetted Parts Material:** SS304, SS316, SS316L available

**Housing Material:** EDW- Aluminum alloy or SS316 ;

EDX- SS316 or C.S with painting

**The Suitable S.G.:**  $\geq 0.6$  (Please inform the manufacturer about the Sp. Gr. of application fluid to calculate the float size.)

**Enclosure Housing:** EDX- Explosion Proof: please check the ordering information  
EDW- Weather Proof: IP65

**Micro Switch Rating (SPDT & 3DPDT Type):** 5A/125VAC, 5A/250VAC, 2A/30VDC

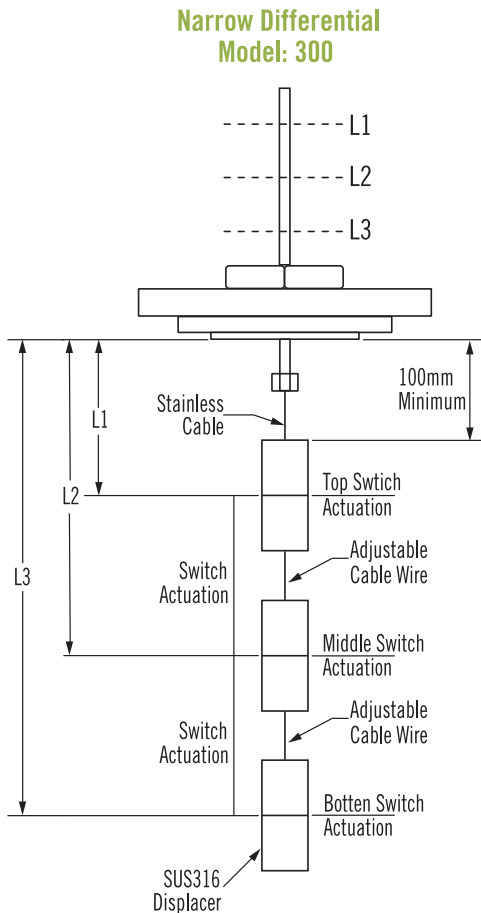
**Max. Pressure:** 50 kg/cm<sup>2</sup> @25°C ; option on request

**Max. Temperature:** 250°C

**Float Size:**  $\phi 60.5 \times 150\text{mmL}$  (based on Sp. Gr.=1.0)

\*(Float size depending on the Sp. Gr. of application fluid.)\*

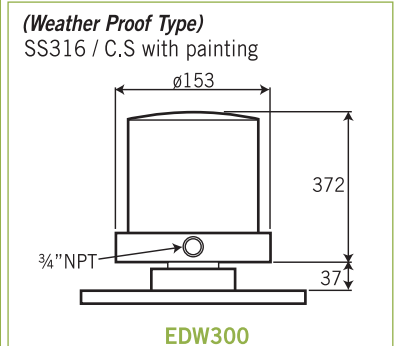
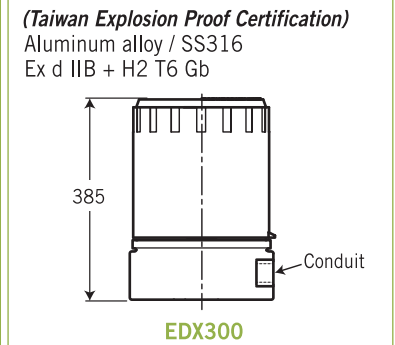
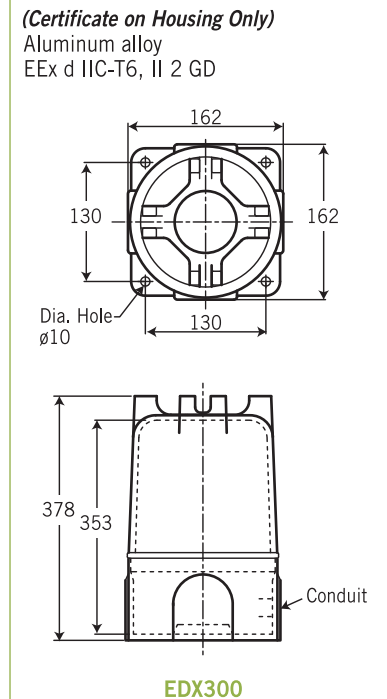
### Control



### Switch Function

Dry Contact Micro-Switch	Option (Hermetically Switch)
1SPDT X 3	1SPDT X 2
Dry Contact Micro-Switch	Option (Hermetically Switch)
(3DPDT) 2SPDT X 3	(2DPDT) 2SPDT X 2

### Housing Dimensions -mm



#### Patent No.

M279006

#### Approvals:



TD0400TJ  
工電(2016)第00384號  
(ITR1)2017第07-00200號



Switches with UL & CSA  
Recognized and File No.  
E41515.



**EDX300**

**EDW300**

### Ordering Information

EDW / EDX	Code	Model
	300	Narrow Differential
		<b>Code</b> <b>Housing Material</b>
	A	Aluminum alloy
	B	SS316
	C	C.S with Painting (only for EDW, Weather Proof type)
		<b>Code</b> <b>Process Connection Size</b>
		(1) 2½" (2) 3" (3) 4" (4) 5" (5) Option
		<b>Code</b> <b>Process Connection Rating</b>
		(A) JIS 10K (B) JIS 20K (C) ANSI 150# (D) ANSI 300# (E) PN16 (F) PN40 (G) Option
		<b>Code</b> <b>Conduit Size</b>
		(1) ¾"NPT(F) (2) ½"NPT(F) (3) M20 x P1.5(F) (4) M25 x P1.5(F) (O) Option
		<b>Code</b> <b>Switch Function</b>
	A	Dry Contact Microswitch 1SPDT x 3
	B	Option (Hermetically Switch) 1SPDT x 2
	C	Dry Contact Microswitch 2SPDT x 3
	D	Option (Hermetically Switch) 2SPDT x 2
		<b>Code</b> <b>Float Material</b>
		(1) SS316 (2) SS304 (3) SS316L
		<b>Code</b> <b>Wetted Parts Material</b>
		(A) SS316 (B) SS304 (C) SS316L
		<b>Code</b> <b>Sp. Gr.</b>
		(A) 1.0 (B) 0.99~0.9 (C) 0.89~0.8 (D) 0.79~0.7 (E) 0.69~0.6
		<b>Code</b> <b>Setting Point</b>
		Please fill in the requested length: L1= ___ L2= ___ L3= ___
		<b>Code</b> <b>Explosion Proof Type / Housing Material</b>
	N	For Weather Proof Type, EDW
	A	<i>(Certificate on Housing Only)</i> / Aluminum alloy EEx d IIC-T6, II 2 GD
	B	<i>(Taiwan Explosion Proof Certification)</i> / Aluminum alloy Ex d IIB + H2 T6 Gb
	B1	<i>(Taiwan Explosion Proof Certification)</i> / SS316 Ex d IIB + H2 T6 Gb
		<b>Code</b> <b>Micro Switch Rating</b>
		5A / 250VAC
		5A / 125VAC
		2A / 30VDC
		L1=
		L2=
		L3=
		Complete Ordering Code