

# EXPLOSION PROOF TYPE ADAPTER ED SERIES

Explosion Proof : Ex d IIC Gb  
Ex tb IIIC Db



## Technical Data

**Connection Size:** Please refer to the table of "Ordering Information & Dimensions"

**Body Material:** SS316 / SS316L / CF3M,  
and SS304 / SS304L / CF8

### Approvals:

ED01~ED08

ED09~ED15(Pending)



TD0400TJ

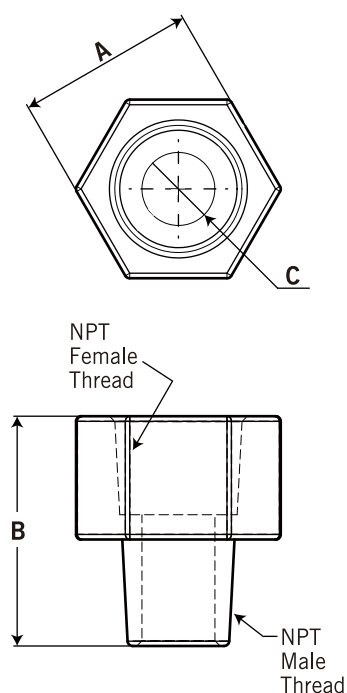
(ITRI)2024第07-00018X號



TD0400TJ

(ITRI)2024第07-xxxxxX號

## Ordering Information & Dimensions



unit=mm					
Ordering Code	Connection Size	Material	A	B	C
ED-01-NPT-6L	¾"NPT(M) x ½"NPT(F)	SS316 / SS316L / CF3M	Hex.29	45.0	ø16.1
ED-01-NPT-4		SS304 / SS304L / CF8			
ED-02-NPT-6L	½"NPT(M) x ¾"NPT(F)	SS316 / SS316L / CF3M	Hex.35	45.0	ø15.0
ED-02-NPT-4		SS304 / SS304L / CF8			
ED-03-NPT-6L	¾"NPT(M) x 1"NPT(F)	SS316 / SS316L / CF3M	Hex.41	54.0	ø20.0
ED-03-NPT-4		SS304 / SS304L / CF8			
ED-04-NPT-6L	½"NPT(M) x 1"NPT(F)	SS316 / SS316L / CF3M	Hex.41	52.0	ø15.0
ED-04-NPT-4		SS304 / SS304L / CF8			
ED-05-NPT-6L	1"NPT(M) x ½"NPT(F)	SS316 / SS316L / CF3M	Hex.35	40.0	ø15.0
ED-05-NPT-4		SS304 / SS304L / CF8			
ED-06-NPT-6L	1"NPT(M) x ¾"NPT(F)	SS316 / SS316L / CF3M	Hex.35	40.0	ø19.0
ED-06-NPT-4		SS304 / SS304L / CF8			
ED-07-NPT-6L	1"NPT(M) x 1½"NPT(F)	SS316 / SS316L / CF3M	Hex.60	60.0	ø25.0
ED-07-NPT-4		SS304 / SS304L / CF8			
ED-08-NPT-6L	1½"NPT(M) x 1"NPT(F)	SS316 / SS316L / CF3M	Hex.50	40.0	ø25.0
ED-08-NPT-4		SS304 / SS304L / CF8			
ED-09-NPT-6L	1¼"NPT(M) x 1"NPT(F)	SS316 / SS316L / CF3M	Hex.46	60.5	ø25.0
ED-09-NPT-4		SS304 / SS304L / CF8			
ED-10-NPT-6L	2"NPT(M) x 1¼"NPT(F)	SS316 / SS316L / CF3M	Hex.60	62.5	ø32.0
ED-10-NPT-4		SS304 / SS304L / CF8			
ED-11-NPT-6L	2"NPT(M) x 1½"NPT(F)	SS316 / SS316L / CF3M	Hex.60	63.0	ø38.0
ED-11-NPT-4		SS304 / SS304L / CF8			
ED-12-NPT-6L	2½"NPT(M) x 2"NPT(F)	SS316 / SS316L / CF3M	Hex.75	77.0	ø49.0
ED-12-NPT-4		SS304 / SS304L / CF8			
ED-13-NPT-6L	2½"NPT(M) x 1½"NPT(F)	SS316 / SS316L / CF3M	Hex.75	76.0	ø38.0
ED-13-NPT-4		SS304 / SS304L / CF8			
ED-14-NPT-6L	3"NPT(M) x 2½"NPT(F)	SS316 / SS316L / CF3M	Hex.90	92.0	ø60.0
ED-14-NPT-4		SS304 / SS304L / CF8			
ED-15-NPT-6L	3"NPT(M) x 2"NPT(F)	SS316 / SS316L / CF3M	Hex.90	79.0	ø49.0
ED-15-NPT-4		SS304 / SS304L / CF8			