

EXPLOSION PROOF TYPE CABLE GLAND EGG SERIES

Technical Data

Connection Size: 1/2" ~ 1 1/2"

Connection Size Rating: M, NPT available

Material: Body: SS316;

O-Ring: C.R. (Chloroprene Rubber);

Packing: C.R. (Chloroprene Rubber)

Cable Enter Construct Type:

Type A: General Type (For cable entering only);

Type B: Coupling Type (For conduit connection)

Working Pressure Limit: 5 Bar

Min. Temperature: -20°C for C.R. (Chloroprene Rubber)

Protection Class: IP68

Explosion Proof:

(Taiwan Explosion Proof Certification)

Ex d IIC Gb / Ex tD A21

(Europe Union ATEX Certification)

II 2 G D

Ex db IIC Gb

Ex tb IIIC Db

Approvals:



TD0400TJ

工電(2015)第00004U號

工電(2015)第00005U號

工電(2015)第00006U號

工電(2015)第00007U號

工電(2015)第00008U號

工電(2014)第00221U號

工電(2014)第00241U號

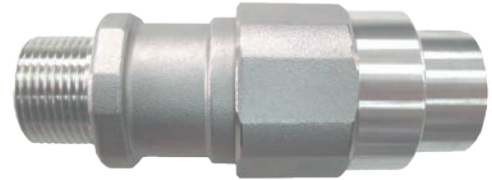
工電(2014)第00242U號

工電(2014)第00250U號

工電(2014)第00257U號



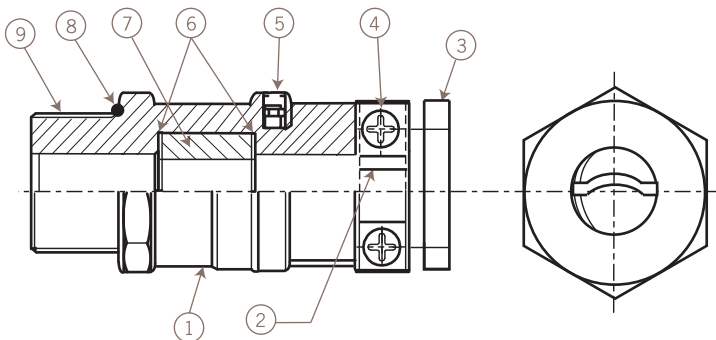
Type A:
General Type
(for cable entering only)



Type B:
Coupling Type
(for conduit connection)

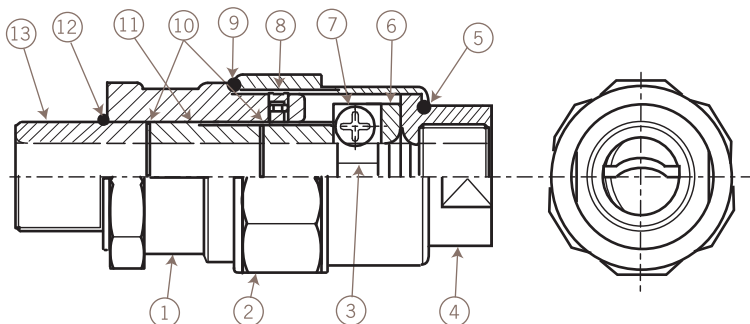
Parts List

Type A: General Type



Item	Parts Name	Material
1	Body	SS316
2	Cramp	SS316
3	Gland	SS316
4	Bolt	SS304
5	Set Bolt	SS304
6	Washer	SS316
7	Packing	C.R. (Chloroprene Rubber)
8	O-Ring	C.R. NPT Thread no need
9	Thread	SS316

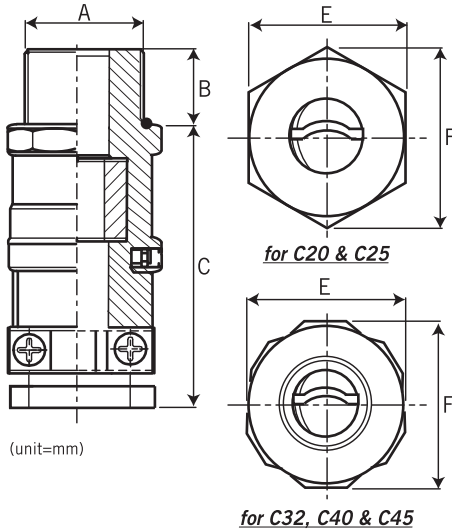
Type B: Coupling Type



Item	Parts Name	Material
1	Body	SS316
2	Cover	SS316
3	Cramp	SS316
4	Coupling	SS316
5	O-Ring	C.R. (Chloroprene Rubber)
6	Gland	SS316
7	Bolt	SS304
8	Set Bolt	SS304
9	O-Ring	C.R. (Chloroprene Rubber)
10	Washer	SS316
11	Packing	C.R. (Chloroprene Rubber)
12	O-Ring	C.R. NPT Thread no need
13	Thread	SS316

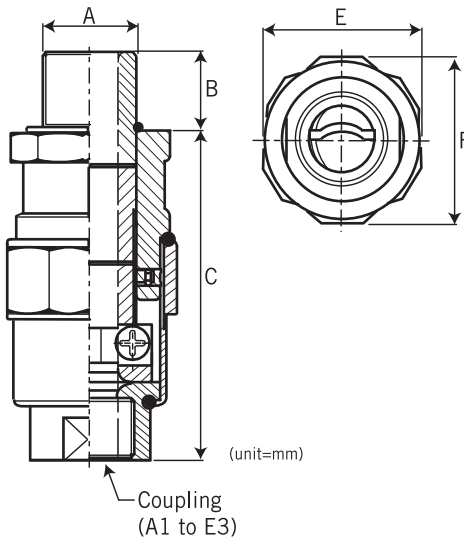
Dimensions & Connection Size Table

Type A: General, for cable entering only



Body Type	Size	Cable O.D	Packing I.D	A (Thread Male)		B	C	E	F
				M	NPT				
C20	6~8	8							
	8~10	10	M20 P=1.5	½"NPT P=1.814	19	66	23	26	
	10~12	12							
C25	10~12	12							
	12~14	14	M25 P=1.5	¾"NPT P=1.814	19	66	29	32	
	14~16	16							
C32	16~18	18							
	18~20	20	M32 P=1.5	1"NPT P=2.209	24	66	39	40	
	20~22	22							
C40	22~24	24							
	24~26	26	M40 P=1.5	1¼"NPT P=2.209	24	67	49	50	
	26~28	28							
C45	28~30	30							
	30~32	32	M45 P=1.5	1½"NPT P=2.209	24	69	58	60	
	32~34	34							

Type B: Coupling, for conduit connection



Body Type	Size	Cable O.D	Packing I.D	A (Thread Male)		Coupling (Female)		B	C	E	F
				M	NPT						
C20	6~8	8				A1	G½"				
	8~10	10	M20 P=1.5	½"NPT P=1.814	A2	½"NPT	19	87	34	37	
	10~12	12			A3	½"PT					
C25	10~12	12				B1	G¾"				
	12~14	14	M25 P=1.5	¾"NPT P=1.814	B2	¾"NPT	19	87	40	42	
	14~16	16			B3	¾"PT					
C32	16~18	18				C1	G1"				
	18~20	20	M32 P=1.5	1"NPT P=2.209	C2	1"NPT	24	91	50	53	
	20~22	22			C3	1"PT					
C40	22~24	24				D1	G1¼"				
	24~26	26	M40 P=1.5	1¼"NPT P=2.209	D2	1¼"NPT	24	92	60	63	
	26~28	28			D3	1¼"PT					
C45	28~30	30				E1	G1½"				
	30~32	32	M45 P=1.5	1½"NPT P=2.209	E2	1½"NPT	24	94	70	73	
	32~34	34			E3	1½"PT					

Ordering Information

ECG	Code	Cable Enter Construct Type	
	A	General Type (for cable entering only)	B Coupling Type (for conduit connection)
	Code	Body Type	
		C20	C25 C32 C40 C45
	Code	Thread Connection Size (Male)	
	M20	M20 x P1.5	M25 M25 x P1.5 M32 M32 x P1.5 M40 M40 x P1.5 M45 M45 x P1.5
	½"	½"NPT	¾" ¾"NPT 1" 1"NPT 1¼" 1¼"NPT 1½" 1½"NPT
	Code	Packing I.D	
		Please refer to the "Packing I.D" column of connection size table, and fill out the specification in the code as request.	
	Code	Packing Material	
	C	CR (chloroprene rubber)	
	Code	Coupling Connection Size (Female) *only for B coupling type selection*	
	A1	G½"	B1 G¾" C1 G1" D1 G1¼" E1 G1½"
	A2	½"NPT	B2 ¾"NPT C2 1"NPT D2 1¼"NPT E2 1½"NPT
	A3	½"PT	B3 ¾"PT C3 1"PT D3 1¼"PT E3 1½"PT
	O	for A General Type	
ECG			Complete Ordering Code

Ordering code example:

ECG-B-C45-1½"-34-C-E1

- ECG= Model
- B = Coupling Type (for conduit connection)
- C45 = Body Type
- 1½"= 1½"NPT, male
- 34 = Packing I.D ø34mm
- E1 = G1½"

NOTE.

Please notice that the Male Thread Connection is against the Body Type. etc.: M25 or ¾"NPT = C25 body type.