

FLANGE TYPE DIAPHRAGM SEAL

DT123/VDT123/DTC123

– Teflon Lining or Coating on Wetted Parts

DT/VDT123/DTC123 diaphragm seal is designed to be used in highly viscous process media such as pulp, paper, waste water treatment, and plastic /chemical process industries. DT/VDT123/DTC123 is easy to assemble with pressure gauges, pressure switches, and pressure instruments.

Technical Data

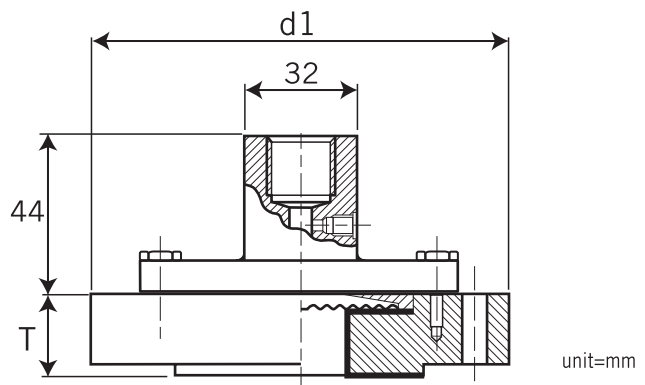
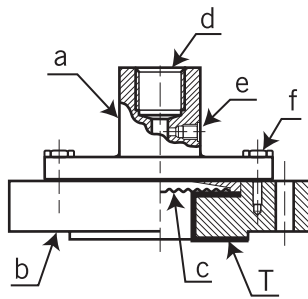
Instrument connection: female thread 1/4" to 1/2" BSP or NPT
Membrane size: Ø36, Ø45, Ø75 available
Process connection: 1/2" to 3" Flange, JIS, ANSI, DIN available
Temperature limited: -40~+150°C

Pressure range limited:
 Ø75 Membrane: -760 mmHg~0, Minimum process flange 2" x 150#
 Ø45 Membrane: Maximum up to 40 kg/cm²
 Minimum -1~5 kg/cm², 0~6 kg/cm²
 Minimum process flange 3/4" x 150#
 Ø36 Membrane: Maximum up to 40 kg/cm²
 Minimum 0~10 kg/cm²
 Minimum process flange 1/2" x 150#

Material: Upper & Lower housing-SS316(standard), others on request
 Membrane: SS316L+Teflon lining (standard); Options– Hastelloy C276, tantalum, and others on request.

Dimensions

Item	Description of Parts
a	Upper housing
b	Lower housing
c	Membrane
d	Instrument connection
e	Filling port
f	Screw bolt
T	Teflon lining



Please note: d1 & T dimension are according to the flange rating and size.



DT-123



DTC-123

(Lower Housing Material:)
 (SS316+PFA Coating)



VDT-123

(For vacuum range)
 (For membrane size ø75 only)
 (For flange size ≥ 2")

Patent No.

M328561

*The flange sizes of 1" to 4" are available upon request.
 The dimensions are according to the standard specifications of JIS, ANSI and DIN.

Ordering Information

DT123 VDT123 DTC123	Code	Instrument Connection (Female)
		(A) 1/4"BSP (B) 1/4"NPT (C) 3/8"BSP (D) 3/8"NPT (E) 1/2"BSP (F) 1/2"NPT
		Code Membrane size
		(A) Ø36 (B) Ø45 (C) Ø75
		Code Process connection
		(1) 1/2" (2) 3/4" (3) 1" (4) 1 1/2" (5) 2" (6) 3" (7) Option
		Code Flange rating
		(1) 150# (2) 300# (3) PN16 (4) PN25 (5) JIS 10K (6) JIS 20K (7) Option
		Code Upper housing material
		(S) SS316 (standard) (O) Option
		Code Lower housing material
		(T) SS316+Teflon lining (C) SS316+PFA Coating (O) Option
		Code Membrane material
		1 Option 2 Hastelloy C276 3 Tantalum
		4 SS316L+Teflon lining (for DT123) 5 SS316L+Teflon lining (for VDT123)
		Complete ordering code