

PLASTIC FLANGE TYPE DIAPHRAGM SEAL

DT118 / VDT118

Application

DT/VDT118 diaphragm seal is made with material including, special plastic to provide to against the acid fluid for application in customers device. It's easy to assemble with pressure gauges, pressure switches and pressure transducers.

Technical Data

Instrument connection: Female thread 1/4" to 1/2" BSP or NPT

Membrane size: Ø55, Ø75

Process connection: 1/2" to 2" Flange type, JIS, ANSI, DIN available

Measurement range: -760mmHg ~ 0 ~ 10 kg/cm² (Ø75 Membrane)
0 ~ 6 kg/cm² (Ø55 Membrane)

Max. temperature: Up to 120°C

Material: Upper housing - SS316 (standard);

Low housing - P.V.C, P.P, PVDF, Teflon available

Membrane material: SS316L+Teflon lining (standard);

Options - Hastelloy C276, Tantalum, and others on request.



DT-118



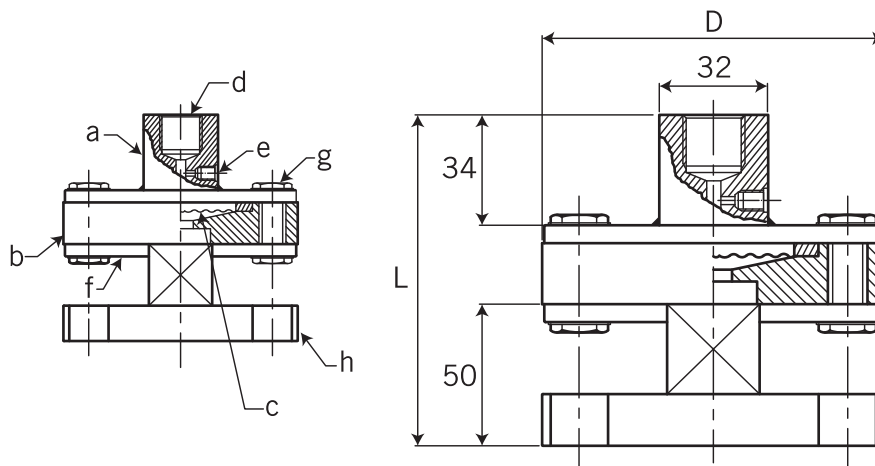
VDT-118

(For vacuum range)

(For membrane size Ø75 only)

Dimensions

| Item | Description of Parts |
|------|-----------------------|
| a | Upper housing |
| b | Lower housing |
| c | Membrane |
| d | Instrument connection |
| e | Filling port |
| f | Supporting ring |
| g | Screw bolt |
| h | Flange |



| Membrane size | |
|---------------|--------|
| Ø | 55 75 |
| D | 80 100 |

*L: According to the flange rating.

Ordering Information

| DT118 | Code | Instrument Connection Size (Female) |
|-------|------|---|
| | | (A) 1/4"BSP (B) 1/4"NPT (C) 3/8"BSP (D) 3/8"NPT (E) 1/2"BSP (F) 1/2"NPT |
| | | Code Membrane Size |
| | | (A) Ø55 (B) Ø75 |
| | | Code Upper Housing Material |
| | | (S) SS316 (Standard) (O) Option |
| | | Code Lower Housing Material |
| | | (V) PVC (P) P.P (T) Teflon (PV) PVDF |
| | | Code Membrane Material |
| | | (H) Hastelloy C276 (Ta) Tantalum (Tf) SS316L+Teflon lining (O) Option |
| | | Code Process Connection Size |
| | | (A) 1/2" (B) 3/4" (C) 1" (D) 1 1/2" (E) 2" (O) Option |
| | | Code Process Connection Rating |
| | | (A) JIS 10K (B) ANSI 150# (C) PN16 (O) Option |
| DT118 | | complete ordering code |