

FLANGE TYPE DIAPHRAGM SEAL

DT116 / VDT116 / DTC116

– Teflon Lining or Coating on Wetted Parts

DT/VDT116/DTC116 diaphragm seal is designed to be used in highly viscous process media such as pulp, paper, waste water treatment, and plastic/chemical process industries. DT/VDT116/DTC116 is easy to assemble with pressure gauges, pressure switches, and pressure instruments.

Technical Data

- Instrument connection:** female thread ¼" to ½" BSP or NPT
- Membrane size:** Ø55, Ø75 for pressure gauge; and Ø95 for Differential type pressure gauge
- Process connection:** ½" to 3" Flange, JIS, ANSI, DIN available
- Temperature limited:** -40~+150°C cooling element or capillary line up to 350°C
- Pressure range limited:** Maximum up to 40 kg/cm², Teflon lining type up to 25 kg/cm²
- Minimum: -760 mmHg~0 (Ø75 Membrane); 0~6 kg/cm² (Ø55 Membrane)
- Material:** Upper & Lower housing-SS316 (standard), others on request
- Wetted parts Teflon lining or Coating available on request
- Membrane:** SS316L (standard); Options– Hastelloy C276, SS316L with teflon lining, tantalum, and others on request.



DT-116



VDT-116

(For vacuum range)
(For membrane size ø75 only)

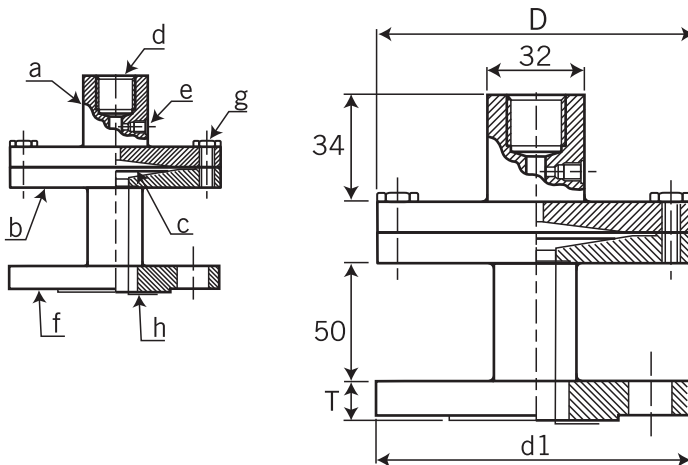


DTC-116

(Lower Housing Material:)
(SS316+PFA Coating)

Dimensions

Item	Description of Parts
a	Upper housing
b	Lower housing
c	Membrane
d	Instrument connection
e	Filling port
f	Process connection
g	Screw bolt
h	Teflon lining



Membrane size			
Ø	55	75	95
D	80	100	120

unit=mm

NOTE
Performance Technical Data are effective with date of issue and are subject to change without prior notice.

Please note: d1 & T dimension are according to the standard specifications of JIS, ANSI and DIN.

Ordering Information

DT116 VDT116 DTC116	Code	Instrument Connection (Female)
		(A) ¼"BSP (B) ¼"NPT (C) ⅜"BSP (D) ⅜"NPT (E) ½"BSP (F) ½"NPT
		Code Membrane size
		(A) Ø55 (B) Ø75 (C) Ø95
		Code Process connection
		(1) ½" (2) ¾" (3) 1" (4) 1½" (5) 2" (6) 3" (7) Option
		Code Flange rating
		(1) 150# (2) 300# (3) PN16 (4) PN25 (5) JIS 10K (6) JIS 20K (7) Option
		Code Upper housing material
		(S) SS316/SS316L (standard) (S4) SS304/SS304L (O) Option
		Code Lower housing material
		(S) SS316/SS316L (standard) (S4) SS304/SS304L (C) SS316+PFA Coating (T) SS316 or CF8M+Teflon lining (unavailable for size 2"~3") (O) Option
		Code Membrane material
		(1) SS316L (2) Hastelloy C276 (3) Tantalum (4) SS316L+Teflon lining (for DT116) (5) SS316L+Teflon lining (for VDT116) (O) option
		Complete ordering code