

PLASTIC THREAD TYPE DIAPHRAGM SEAL

DT114 / VDT114

Application

DT/VDT114 diaphragm seal is made with material including, special plastic to provide to against the acid fluid for application in customers device. Its easy to assemble with pressure gauges, pressure switches and pressure transducers.

Technical Data

- Instrument connection:** Female thread ¼" to ½" BSP or NPT
- Membrane size:** Ø55, Ø75 mm
- Process connection:** ¼" to ½" BSP or NPT
- Measurement range:** -760mmHg ~ 0 ~ 4 kg/cm² (Ø75 Membrane)
0 ~ 6 kg/cm² (Ø55 Membrane)
- Max. temperature:** Up to 120°C
- Material:** Upper housing - SS316 (standard);
Low housing - P.V.C, P.P, PVDF, Teflon available
- Membrane material:** SS316L+Teflon lining (standard);
Options - Hastelloy C276, Tantalum, and others on request.



DT-114

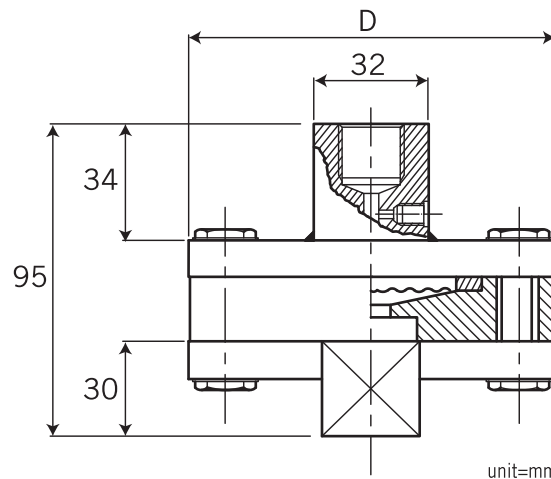
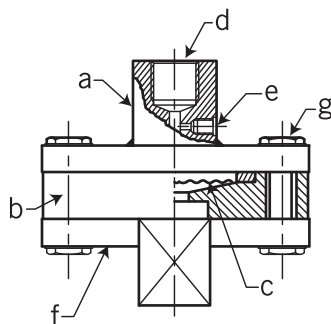


VDT-114

(For vacuum range)
(For membrane size Ø75 only)

Dimensions

Item	Description of Parts
a	Upper housing
b	Low housing
c	Membrane
d	Instrument connection
e	Filling port
f	Supporting ring
g	Screw bolt



Membrane size		
Ø	55	75
D	80	100

Ordering Information

DT114 VDT114	Code	Instrument Connection Size (Female)
		(A) ¼"BSP (B) ¼"NPT (C) ⅜"BSP (D) ⅜"NPT (E) ½"BSP (F) ½"NPT
		Code Membrane Size
		(1) Ø55 (2) Ø75
		Code Process Connection Size
		(A) ¼" (B) ⅜" (C) ½"
		Code Process Connection Thread
		(A) NPT (male) (B) NPT (female) (C) PF (male) (D) PF (female)
		Code Upper Housing Material
		(S) SS316 (O) option
		Code Lower Housing Material
		(V) PVC (P) P.P (T) Teflon (PV) PVDF
		Code Membrane Material
		(H) Hastelloy C276 (Ta) Tantalum (Tf) SS316L+Teflon lining (for DT114) (Tv) SS316L+Teflon lining (for VDT114) (O) option
		Complete ordering code