

# LAP JOINT FLANGE WITH WETTED FACE DIAPHRAGM SEAL DT140 / DTC140

DT140/VDT140 flange type with sealing face diaphragm seal is especially designed for applications at aggressive, contaminated or hot media. And, the membrane is flush welded to the rise face of flange. DT140/VDT140 is easy to assemble with pressure gauges, pressure switches, and pressure instruments.

## Technical Data

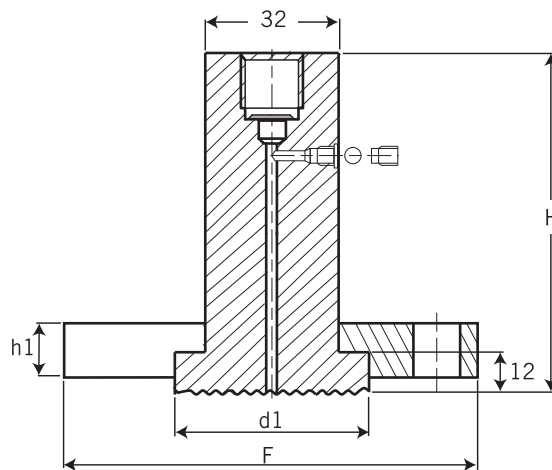
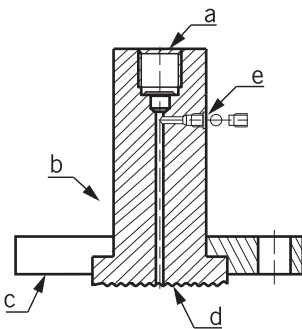
- Instrument connection:** female thread 1/4" to 1/2" NPT or BSP
- Process connection:** 1" to 3" Lap Joint Flange; and option: welded flange type available. (please consult with manufacturer.)
- Flange Rating:** JIS, ANSI, DIN rating available
- Temperature Limited:** -40~+150°C cooling element or capillary line up to 350°C
- Pressure Range & Flange Size Limited:**

Size	Flange Rating	Pressure Range
1"	150# ~ 600#	maximum up to 40 kg/cm <sup>2</sup> minimum 0~6 kg/cm <sup>2</sup>
1 1/2"	150# ~ 600#	maximum up to 40 kg/cm <sup>2</sup> minimum 0~2.5 kg/cm <sup>2</sup>
2"	150# ~ 600#	maximum up to 40 kg/cm <sup>2</sup> minimum 0~1 kg/cm <sup>2</sup>
3"	150# ~ 600#	maximum up to 40 kg/cm <sup>2</sup> minimum -1~0 kg/cm <sup>2</sup>

**Option:** Upper pressure available, according to flange rating on request

## Dimensions-mm

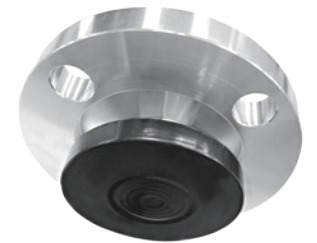
Item	Description of Parts
a	Instrument Connection
b	Upper Housing
c	Lower Housing Flange
d	Membrane (wetted face)
e	Filling Port



\* F & h1: Dimensions to suit standard flange outside size as JIS, ANSI and DIN, etc, upon request.



**DT-140**



**DTC-140**

(Lower Housing Material:)  
(SS316+PFA Coating)

Size	H	d1
1"	66	54
1 1/2"	71	74
2"	74	92
3"	80	127

unit=mm

## Ordering Information

DT140 DTC140	Code	Instrument Connection (Female)
		(A) 1/4" BSP (B) 1/4" NPT (C) 3/8" BSP (D) 3/8" NPT (E) 1/2" BSP (F) 1/2" NPT
		<b>Code</b> <b>Process Connection Size</b>
		(1) 1" (2) 1 1/2" (3) 2" (4) 3"
		<b>Code</b> <b>Flange Rating</b>
		(1) 150# (2) 300# (3) 600#
		<b>Code</b> <b>Upper Housing Material</b>
		(S) SS316 (standard) (O) option
		<b>Code</b> <b>Lower Housing Flange Material</b>
		(S) SS316 (C) SS316+PFA coating (O) option
		<b>Code</b> <b>Wetted Parts Material</b>
		(1) Hastelloy C276 (2) Tantalum (3) SS316L+Teflon lining (4) SS316L+PFA coating
		<b>Complete Ordering Code</b>