

FLANGE TYPE DIAPHRAGM SEAL

DT128

DT-128 diaphragm seal is designed to be used in highly viscous process media such as pulp, paper, waste water treatment and plastics and chemical process industries. It is easy to assemble with pressure gauges, pressure switches, and pressure instruments.

Technical Data

- Instrument connection:** female thread 1/4" to 1/2" BSP or NPT
- Process connection:** 2" to 4" flange, JIS, ANSI, DIN, available
- Temperature limited:** -40~+150°C cooling element or capillary line up to 350°C
- Pressure range limited:** measurement range

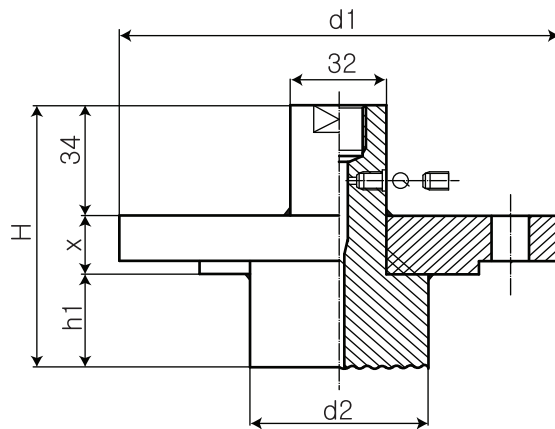
| Size | 2" | 3" | 4" |
|---------------------------------------|---|----------------------|-------|
| MINIMUM LIMITED (kg/cm ²) | -1~+1.5 | -760mmHg~0 -1~1.5 | 0~0.6 |
| MAXIMUM LIMITED (kg/cm ²) | Up to 250kg/cm ² available, according to flange rating | | |

- Material:** body-SS316(standard), others on request
- Membrane:** SS316L(standard)
- Option: Hastelloy C276, tantalum and others on request

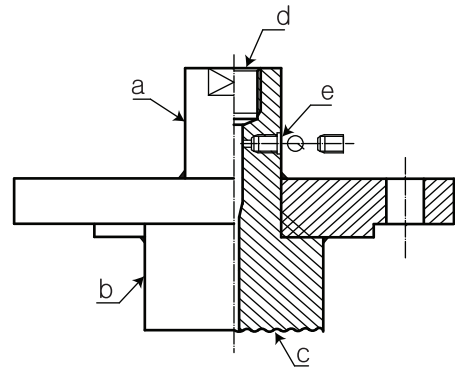


Dimensions

| Item | Description of Parts |
|------|-----------------------|
| a | Upper housing |
| b | Extension housing |
| c | Membrane |
| d | Instrument connection |
| e | Filling port |



unit=mm



* d1, H, x, h1 dimensional size upon request specification.

NOTE
Performance Technical Data are effective with date of issue and are subject to change without prior notice.

Ordering Information

| DT128 | Code | Instrument Connection (Female) |
|-------|------|---|
| | | (A) 1/4"BSP (B) 1/4"NPT (C) 3/8"BSP (D) 3/8"NPT (E) 1/2"BSP (F) 1/2"NPT |
| | | Code Process connection |
| | | (1) 2" (2) 3" (3) 4" (4) Option |
| | | Code Flange rating |
| | | (1) 150# (2) 300# (3) PN16 (4) PN25 (5) JIS 10K (6) JIS 20K (7) Option |
| | | Code Housing material |
| | | (S) SS316(standard) (H) Hastelloy C276 |
| | | Code Membrane Material |
| | | (1) SS316L (2) Hastelloy C276 (3) Tantalum (4) Option |
| DT128 | | Complete ordering code |