

DT112

CHERRY BURRELL® TYPE DIAPHRAGM SEAL DT112

DT112 Cherry Burrell® Type diaphragm seal is designed to be used in food and pharmaceutical industry. It is easy to assemble with pressure gauges, pressure switches and pressure instruments.

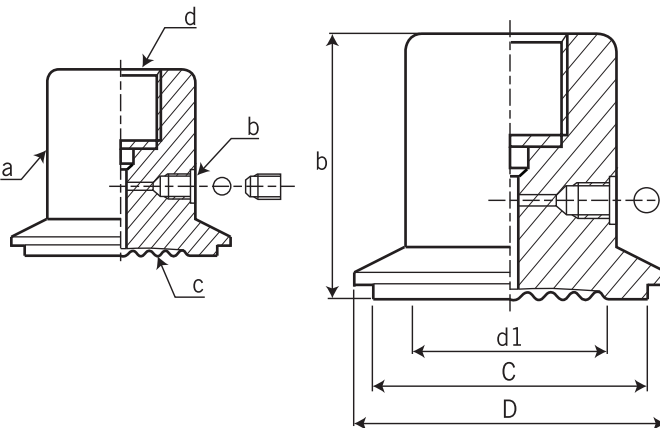
Technical Data

- Instrument connection:** female thread ¼" to ½"NPT or BSP
- Process connection:** 1½", 2", 3" (CB Ferrule)
- Temperature Limited:** -40~+150°C cooling element or capillary line up to 350°C
- Pressure Range Limited:**
 - 1½" CB Ferrule: Maximum up to 25 kg/cm²
Minimum 0~6 kg/cm²
 - 2" CB Ferrule: Maximum up to 25 kg/cm²
Minimum 0~4 kg/cm²
 - 3" CB Ferrule: Maximum up to 25 kg/cm²
Minimum (-1)~1.5 kg/cm²
- Material:** Body- SS316 (standard); Options- SS316L, Hastelloy C276, and others available on request
- Membrane:** SS316L (standard); Options- Hastelloy C276, and others on request



Dimensions

Item	Description of Parts
a	Upper housing
b	Filling port
c	Membrane
d	Instrument connection



Dimensional Data

ISO	b	d1	C	D
1½"	35	32	44.2	50.8
2"	36.5	39.8	56.9	67.0
3"	40.4	66.8	83.8	98.3

unit=mm

Ordering Information

DT112	Code	Instrument Connection (Female)
		(A) ¼"BSP (B) ¼"NPT (C) ⅜"BSP (D) ⅜"NPT (E) ½"BSP (F) ½"NPT
	Code	Process Connection Size
	A	1½" CB Ferrule
	B	2" CB Ferrule
	C	3" CB Ferrule
	Code	Body Material
		(S) SS316 (O) option
	Code	Membrane Material
		(1) SS316L (2) Hastelloy C276 (3) Option
	Code	Pressure Range
		(O) Diaphragm seal only (R) Directly fill out the pressure range
DT112		Complete Ordering Code

WWW.NEW-FLOW.COM • TEL: 886-7-8135500 • FAX: 886-7-8225588 • Email: info@new-flow.com

P059

01Mar2021