

THREAD TYPE DIAPHRAGM SEAL

DT111

DT-111 diaphragm seal is designed to be used in highly viscous process media such as pulp, paper, waste water treatment and plastics and chemical process industries. It is easy to assemble with pressure gauges, pressure switches, and pressure instruments.

Technical Data

Instrument connection: female thread ¼" to ½" BSP or NPT

Process connection: ¼" to ½" Thread BSP or NPT

Temperature limited: -40~+150°C, cooling element or capillary line up to 350°C

Pressure range limited: Maximum up to 60 kg/cm²
Minimum 0~10 kg/cm², option 0~250 kg/cm²

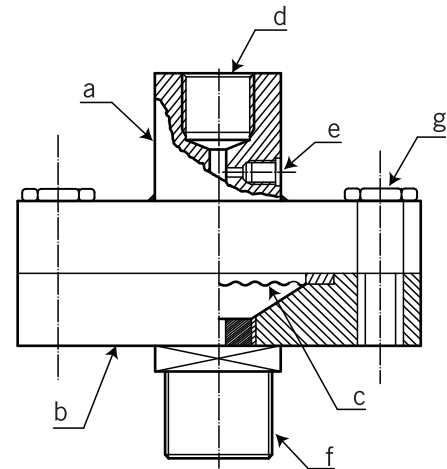
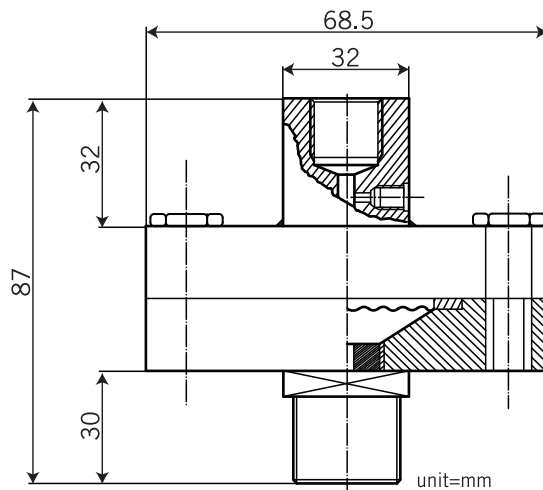
Material: upper & lower housing-SS316 (standard), others on request

Membrane: SS316L (standard); Options- Hastelloy C276, tantalum and others on request.



Dimensions

| Item | Description of Parts |
|------|-----------------------|
| a | Upper housing |
| b | Lower housing |
| c | Membrane |
| d | Instrument connection |
| e | Filling port |
| f | Process connection |
| g | Bolt |



NOTE

Performance Technical Data are effective with date of issue and are subject to change without prior notice.

Ordering Information

| | | |
|-------|------|--|
| DT111 | Code | Instrument Connection (Female) |
| | | (A) ¼" BSP (B) ¼" NPT (C) ⅜" BSP (D) ⅜" NPT (E) ½" BSP (F) ½" NPT |
| | Code | Process connection (Male) |
| | | (1) ¼" BSP (2) ¼" NPT (3) ⅜" BSP (4) ⅜" NPT (5) ½" BSP (6) ½" NPT (7) Option |
| | Code | Upper housing material |
| | | (S) SS316(standard) (0) Option |
| | Code | Lower housing material |
| | | (S) SS316(standard) (0) Option |
| | Code | Membrane material |
| | | (1) SS316L (2) Hastelloy C276 (3) Tantalum (4) Option |
| DT111 | | Complete ordering code |