

THREAD TYPE DIAPHRAGM SEAL

DT110

DT110 diaphragm seal is designed to be used in highly viscous process media such as pulp, paper, waste water treatment, and plastic/chemical process industries. DT110 is easy to assemble with pressure gauges, pressure switches, and pressure instruments.

Technical Data

- Instrument connection:** female thread ¼" to ½" BSP or NPT
- Membrane size:** Ø55, Ø75 for pressure gauge; and Ø95 for Differential pressure gauge
- Process connection:** ¼" to ½" Thread BSP or NPT
- Temperature limited:** -40~+150°C cooling element or capillary line up to 350°C
- Pressure range limited:** Maximum up to 40 kg/cm²
Minimum: -760 mmHg~0, 0~4 kg/cm² (Ø75 Membrane)
0~6 kg/cm² (Ø55 Membrane)
- Material:** Upper & Lower housing- SS316 (standard), others on request
- Membrane:** SS316L (standard); Options- Hastelloy C276, tantalum, and others on request.

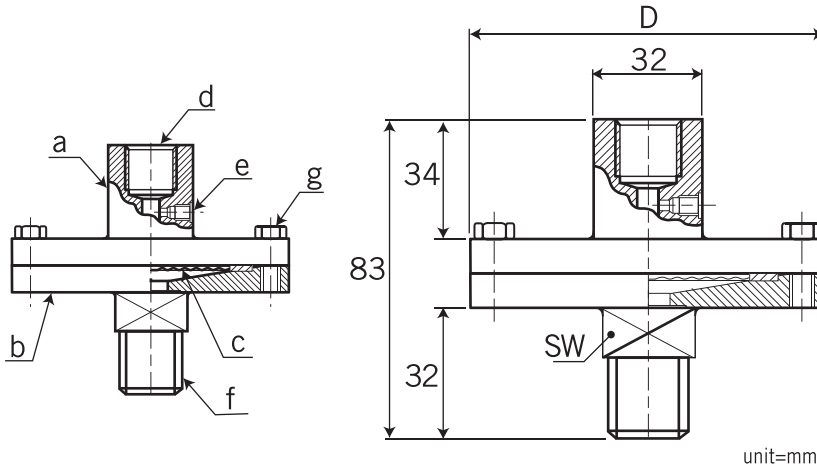


Approvals:



Dimensions

| Item | Description of Parts |
|------|-----------------------|
| a | Upper housing |
| b | Lower housing |
| c | Membrane |
| d | Instrument connection |
| e | Filling port |
| f | Process connection |
| g | Screw bolt |



| Membrane size | | | |
|---------------|----|-----|-----|
| Ø | 55 | 75 | 95 |
| D | 80 | 100 | 120 |

unit=mm

unit=mm

Ordering Information

| DT110 | Code | Instrument Connection (Female) |
|--------------|------|--|
| | | (A) ¼"BSP (B) ¼"NPT (C) ⅜"BSP (D) ⅜"NPT (E) ½"BSP (F) ½"NPT |
| | | Code Membrane size |
| | | (B) Ø55 (C) Ø75 (D) Ø95 |
| | | Code Process connection |
| | | (1) ¼" BSP (2) ¼" NPT (3) ⅜"BSP (4) ⅜"NPT (5) ½"BSP (6) ½"NPT (7) Option |
| | | Code Thread |
| | | (M) Male (F) Female |
| | | Code Upper housing material |
| | | (S) SS316(standard) (O) Option |
| | | Code Lower housing material |
| | | (S) SS316(standard) (O) Option |
| | | Code Membrane material |
| | | (1) SS316L (2) Hastelloy C276 (3) Tantalum (4) Option |
| DT110 | | Complete ordering code |