

THREAD TYPE DIAPHRAGM SEAL

DT104

DT-104 diaphragm seal is designed to be used in highly viscous process industries. It is easy to assemble with pressure gauges, pressure switches, and pressure instruments.

Technical Data

Instrument connection: female thread ¼" to ½" BSP or NPT

Process connection: 1" to 2" NPT male thread

Temperature limited: -40~+150°C

Pressure range limited: (for pressure gauge)

| Size | 1" | 1½" | 2" |
|---------------------------------------|------|------|-------|
| MINIMUM LIMITED (kg/cm ²) | 0~10 | 0~4 | 0~1.6 |
| MAXIMUM LIMITED (kg/cm ²) | 0~60 | 0~40 | 0~16 |

Material: body-SS316(standard)

Option: SS316L, Hastelloy C276, and others on request

Membrane: SS316L(standard)

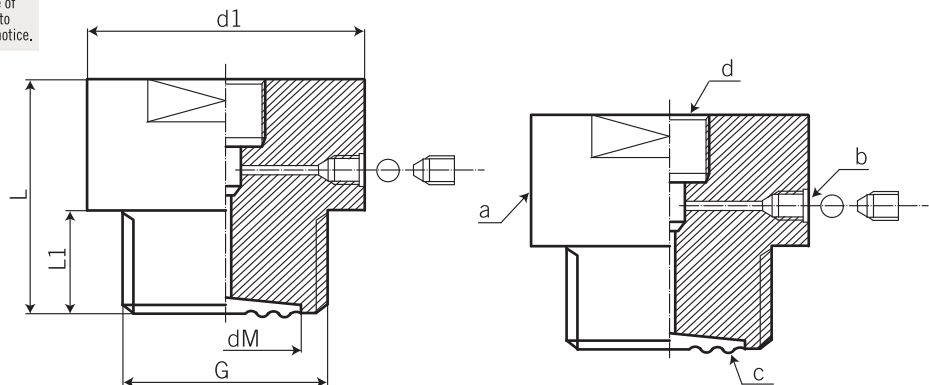
Option: Hastelloy C276, tantalum and others on request



Dimensions

| Item | Description of Parts |
|------|-----------------------|
| a | Body housing |
| b | Filling port |
| c | Membrane |
| d | Instrument connection |

NOTE
Performance Technical Data are effective with date of issue and are subject to change without prior notice.



Dimensional Data

| G | 1"NPT | 1½"NPT | 2"NPT |
|----|-------|--------|-------|
| dM | 23 | 32 | 38 |
| L | 65 | 65 | 65 |
| L1 | 28 | 30 | 30 |
| d1 | 30 | 44 | 56 |

unit=mm

Ordering Information

| DT104 | Code | Instrument Connection (Female) |
|-------|------|---|
| | | (A) ¼"BSP (B) ¼"NPT (C) ⅜"BSP (D) ⅜"NPT (E) ½"BSP (F) ½"NPT |
| | | Code Process connection (Male) |
| | | (1)1"NPT (2) 1½"NPT (3) 2"NPT |
| | | Code Body material |
| | | (S) SS316 (standard) (O) Option |
| | | Code Membrane material |
| | | (1) SS316L (2) Hastelloy C276 (3) Tantalum (4) Option |
| DT104 | | Complete ordering code |