

# MINI TYPE DIAPHRAGM SEAL

## DT101

DT-101 diaphragm seal is designed in economic type to save cost for application in highly viscous process industries. It is easy to assemble with pressure gauges, pressure switches, and pressure instrument.

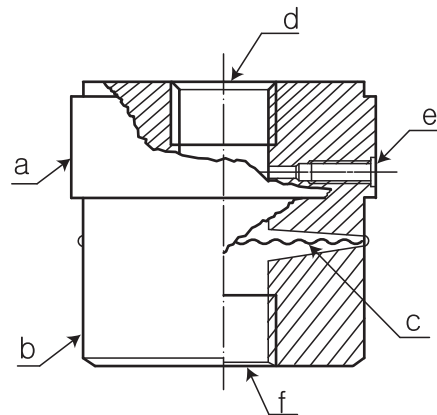
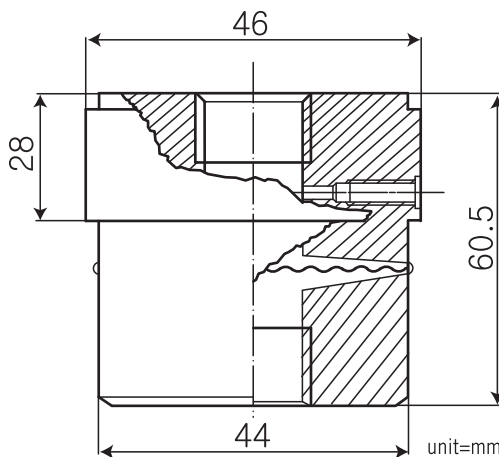
### Technical Data

- Instrument connection:** female thread 1/4" to 1/2" BSP or NPT
- Process connection:** 1/4" to 1/2" BSP or NPT, option available
- Temperature limited:** -40~+150°C
- Pressure range limited:** Maximum up to 40 kg/cm<sup>2</sup> (for pressure gauge)  
Minimum 0~6 kg/cm<sup>2</sup>
- Material:** body-SS316 (standard), option: SS316L, Hastelloy C276, others on request
- Membrane:** SS316L (standard); Options- Hastelloy C276, tantalum and others on request.



### Dimensions

Item	Description of Parts
a	Upper housing
b	Lower housing
c	Membrane
d	Instrument connection
e	Filling port
f	Process connection



**NOTE**  
Performance Technical Data are effective with date of issue and are subject to change without prior notice.

### Ordering Information

DT101	Code	Instrument Connection (Female)
		(A) 1/4"BSP (B) 1/4"NPT (C) 3/8"BSP (D) 3/8"NPT (E) 1/2"BSP (F) 1/2"NPT
		<b>Code</b> <b>Process connection (Female)</b>
		(1) 1/4" BSP (2) 1/4" NPT (3) 3/8"BSP (4) 3/8"NPT (5) 1/2"BSP (6) 1/2"NPT
		<b>Code</b> <b>Upper housing material</b>
		(S) SS316(standard) (0) Option
		<b>Code</b> <b>Lower housing material</b>
		(S) SS316(standard) (0) Option
		<b>Code</b> <b>Membrane material</b>
		(1) SS316L (2) Option
<b>DT101</b>		<b>Complete ordering code</b>