

DPT118

FLUSH DIAPHRAGM SEAL

DPT118

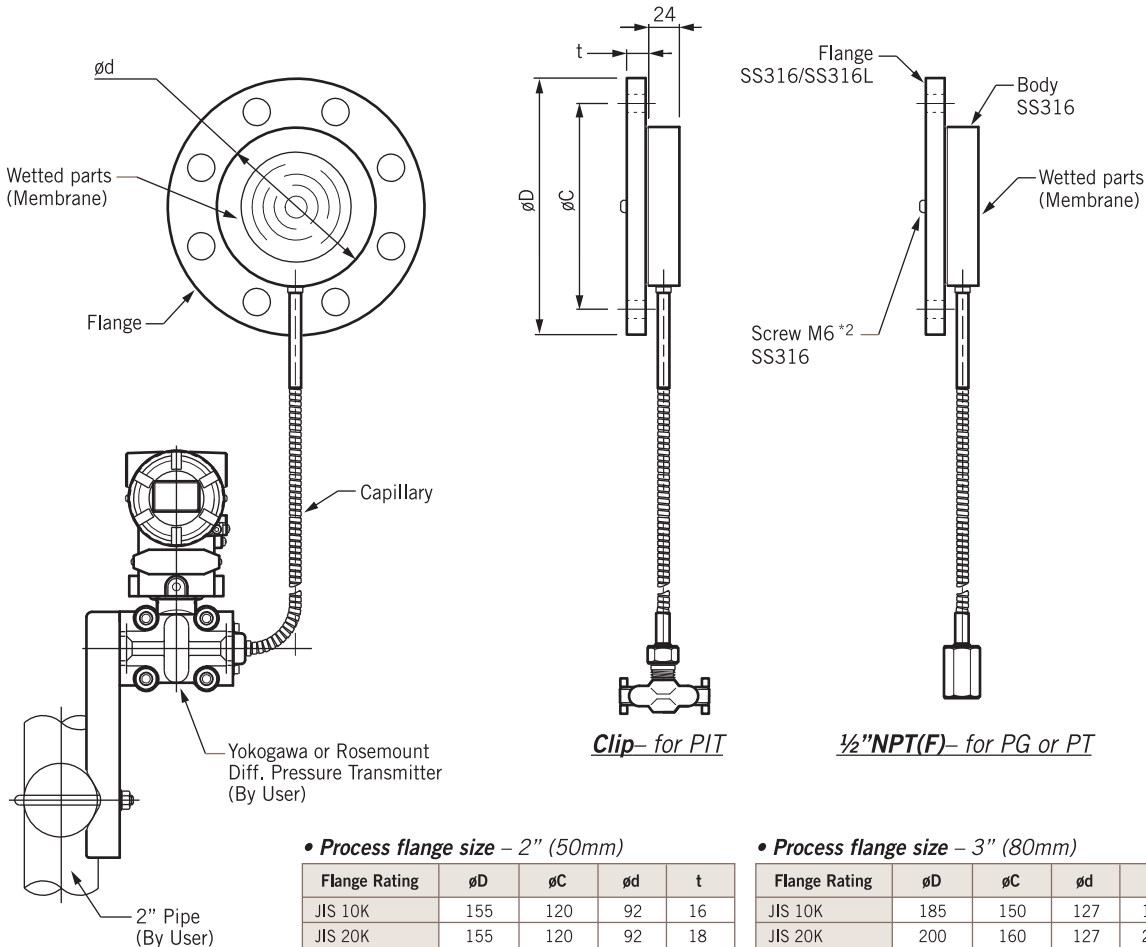
DPT-118 diaphragm seal is designed with capillary line to be used in highly viscous process media such as pulp, paper, waste water treatment and plastics and chemical process industries. It is easy to assemble with pressure gauges, and differential pressure transmitter.

Technical Data

- Instrument connection:** 1/2" NPT female for pressure gauge type;
Clip for Diff. pressure transmitter type
- Flange size:** 2" and 3" flange, JIS, ANSI, DIN available
- Membrane size:** ø92mm for 2" flange;
ø127mm for 3" flange
- Temperature limited:** -40°C ~ +350°C
- Flange & Body material:** SS316/SS316L
- Wetted parts material (Membrane):** SS316L, Hastelloy C-276, and Tantalum on request
- Clip material:** SS316
(Clip suitable for Yokogawa EJX110A, EJA110E, and Rosemount 2051, 3051)



Dimensions



• Process flange size – 2" (50mm)

Flange Rating	øD	øC	ød	t
JIS 10K	155	120	92	16
JIS 20K	155	120	92	18
JIS 40K	165	130	92	26
ANSI Class 150	152.4	120.7	92	19.1
ANSI Class 300	165.1	127.0	92	22.4
ANSI Class 600	165.1	127.0	92	31.8

• Process flange size – 3" (80mm)

Flange Rating	øD	øC	ød	t
JIS 10K	185	150	127	18
JIS 20K	200	160	127	22
JIS 40K	210	170	127	32
ANSI Class 150	190.5	152.4	127	23.9
ANSI Class 300	209.6	168.1	127	28.5
ANSI Class 600	209.6	168.1	127	38.2

(unit=mm)

Ordering Information

DPT118	Code	Instrument Connection				
	YD	Clip for Diff. pressure transmitter (Yokogawa EJX110A, EJA110E- M, H, V range code)				
	RD	Clip for Diff. pressure transmitter (Rosemount 2051, 3051)				
	G	½" NPT(F) for Pressure gauge / Pressure transmitter				
	Code	Flange Size				
	50A	2"	80A	3"		
	Code	Flange Rating				
	J1	JIS 10K	J2	JIS 20K	J4	JIS 40K
	15	ANSI Class 150	30	ANSI Class 300	60	ANSI Class 600
	Code	Wetted Parts Material				
	S	SS316L	HC	Hastelloy C-276	TA	Tantalum
	Code	Flange Material				
	S	SS316/SS316L				
	Code	Capillary Length				
		Please specify capillary length directly. (Example: 3M)				
DPT118						Complete Ordering Code