

DIFFERENTIAL PRESSURE SWITCH, IP66

DPS2200W

Protection: IP66
Proof Pressure to 500psi
Adjustable Ranges: 400~10000 mmH₂O
Temperature: -30 to 205°C

[When the operating temperature exceeds 120°C, a cooling element (New-Flow's CF or CT series) must be installed!]

The New-Flow DPS2200W, a water proof differential pressure switch, is designed to be used in control systems. DPS2200W has high set point repeatability and narrow dead band features. There is a variety of range selections available upon request. Easily adjusted to the set point, no special tools needed!

Technical Data

Switch Data: one SPDT & two SPDT Microswitch, 15amps 125/250VAC, DC 125V 0.4A, DC 30V 3A, / Gold Contact Microswitch 1A 125/250VAC

Housing: die cast aluminum alloy with paint

Conduit Connection: Female 3/4", 1/2"NPT, M20 x P1.5, and 1/2"PF available

Pressure Element: welded type diaphragm

Process Materials: wetted parts are all in SS316+Titanium

Process Connection: with adaptor 1/2" or 1/4" NPT, BSP and PT Female; and M20 x P1.5 thread available



Patent No.

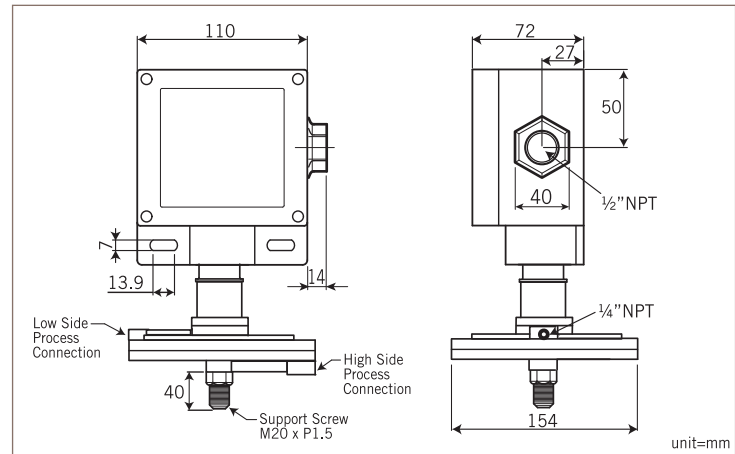
M450724
 China: 2976852

Approvals:



Switches with UL & CSA Recognized and File No. E12252.

Dimensions



Range Selection Table

| Code | Adjustable Range | Dead Band | Maximum Pressure Proof |
|------|-------------------------------|---------------------------|------------------------|
| 10R | 400~1900 mmH ₂ O | 30~80 mmH ₂ O | 500 psi |
| 20R | 1000~10000 mmH ₂ O | 70~200 mmH ₂ O | 500 psi |

Ordering Information

| | | | | | | | | | |
|----------|------|---|-----|-------------------------------|--|--|--|--|------------------------|
| DPS2200W | Code | Range | | | | | | | |
| | 10R | 400~1900 mmH ₂ O | 20R | 1000~10000 mmH ₂ O | | | | | |
| | Code | Wetted Parts Material | | | | | | | |
| | A | SS316+Titanium | | | | | | | |
| | Code | Process Connection (with adaptor)– Female | | | | | | | |
| | | (1) 1/2"NPT (2) 1/4"NPT (3) 1/2"BSP (4) 1/4"BSP (5) 1/2"PT (6) 1/4"PT (7) M20 x P1.5 | | | | | | | |
| | Code | Conduit Connection | | | | | | | |
| | | (E) 3/4"NPT Female (F) 1/2"NPT Female, standard (G) M20 x P1.5 Female (P) 1/2"PF Female | | | | | | | |
| | Code | Switch Form | | | | | | | |
| | 1 | Micro Switch, 1 SPDT | | | | | | | |
| | 2 | Micro Switch, 2 SPDT (one setting point) | | | | | | | |
| | 3a | Gold Contact, 1 SPDT | | | | | | | |
| | 3b | Gold Contact, 2 SPDT (one setting point) | | | | | | | |
| DPS2200W | | | | | | | | | Complete Ordering Code |